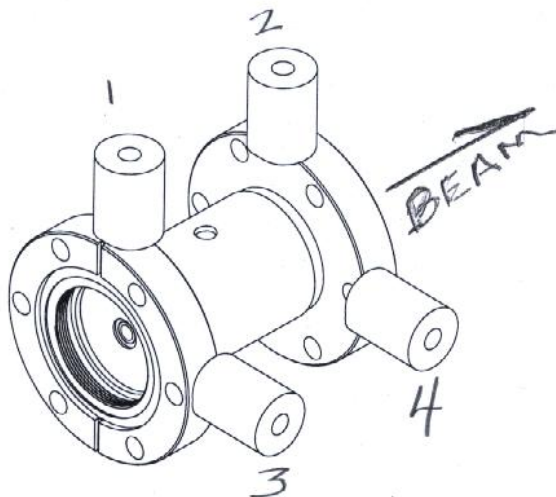


10-19-09

LCLS
XRAY OPTICS
SXR COLLIMATOR
SN1



	X	Y	Z
1	-1.013	+3.346	+ .380
2	+1.041	+3.348	+2.782
3	-3.353	-.066	+ .390
4	-3.351	+1.016	+2.815

LAB DATA

LCLS
X RAY OPTICS
SXR COLLIMATOR
SN 1

10-19-09
JM, LG

(X)

D(S) .090 R

U(S) .069 R

20.000

19.982

15.000

15.140

18.766

18.787 ✓

-18.856 LOS

1) 17.843

2) 17.897

3) 14.503

4) 14.505

1. —
18.843

1. —
18.897

1. —
15.503

1. —
15.505

18.856

18.856

18.856

18.856

-0.013

+0.041

-3.353

-3.351

10.002 REF. BLADE

18.856 WS

28.858 = ϕ

-0.85
+0.75

-0.005

YAG.

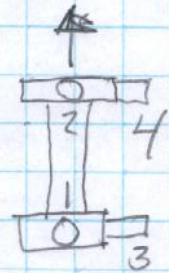
LAB DATA

(Y)

LCLS
XRAY OPTICS
SXR COLLIMATOR
SN 1

10-16-09
JM, LG

CENTER
FLANGE PINS .264" PIN



U/S

D/S

$$\begin{array}{r} +) 7.175 \\ \quad .132 \\ \hline \backslash 7.307 \end{array}$$

$$\begin{array}{r} -) 7.188 \\ \quad .132 \\ \hline \backslash 7.320 \end{array}$$

$$\begin{array}{r} +) 7.170 \\ \quad .132 \\ \hline \backslash 7.302 \end{array}$$

$$\begin{array}{r} -) 7.170 \\ \quad .132 \\ \hline \backslash 7.302 \end{array}$$

U/S APERTURE

D/S HOLE

19.471 REF.
7.311 HI

$$\begin{array}{r} 7.242 \\ \quad .069 R \\ \hline \backslash 7.311 HI \end{array}$$

$$\begin{array}{r} 7.218 \\ \quad .090 \\ \hline \backslash 7.308 \end{array}$$

$$\begin{array}{r} 12.160 = \phi \end{array}$$

7.311 HI

+075
-085

YAG

-005

1) 2.965

2) 2.963

3) 6.377

4) 6.295

$$\begin{array}{r} 1. \text{---} \\ \hline \backslash 3.965 \\ \quad 7.311 \end{array}$$

$$\begin{array}{r} 1. \text{---} \\ \hline \backslash 3.963 \\ \quad 7.311 \end{array}$$

$$\begin{array}{r} 1. \text{---} \\ \hline \backslash 7.377 \\ \quad 7.311 \end{array}$$

$$\begin{array}{r} 1. \text{---} \\ \hline \backslash 7.295 \\ \quad 7.311 \end{array}$$

+3.346

+3.348

-.046

+1.016

LAB DATA

SSRL
X RAY OPTICS
SXR COLLIMATOR
SN 1

10-19-09

JM, LG

(Z)

9.415 READ ON U/S FACE

= 9.415 LOS

1) 8.795

1. —

9.795

9.415

+0.380

2) 11.197

1. —

12.197

9.415

+2.782

3) 8.805

1. —

9.805

9.415

+0.390

4) 11.230

1. —

12.230

9.415

+2.815