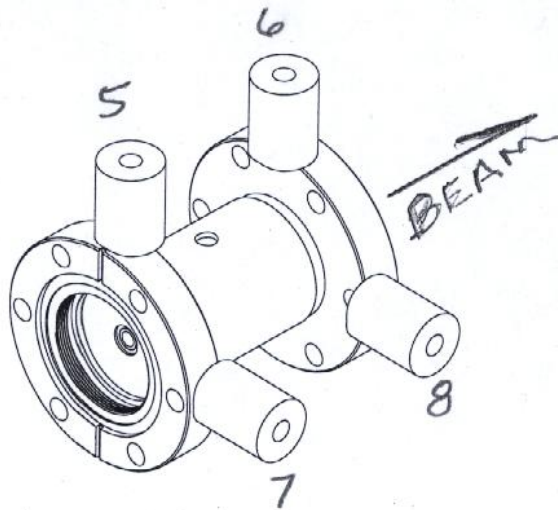


LCLS
XRAY OPTICS
SXR COLLIMATOR LONG
SN 3

10-20-09



	X	Y	Z
5	+ .031	+3.345	+ 1.441
6	+ .034	+3.339	+4.206
7	-3.336	+ .021	+ .396
8	-3.338	+ .024	+4.199

LCLS
X RAY OPTICS
SXR COLLIMATOR LONG
SN3

10-20-09
JM, LG.

LAB DATA

(X)

d(s) .090"
u(s) .069

$$18.389 + .090 = 18.479$$

$$18.410 + .069 = 18.479$$

$$\begin{array}{r} 10.000 \text{ REF} \\ 18.479 \text{ LOS} \\ \hline 28.479 = \phi \end{array}$$

$$\begin{array}{r} \text{YAG} \\ +.078 \\ -.079 \\ \hline \phi \end{array}$$

-18.479 LOS

5) 17.510

$$\begin{array}{r} 1. \text{---} \\ \hline 18.510 \\ \backslash 18.479 \\ \hline +1.031 \end{array}$$

6) 17.513

$$\begin{array}{r} 1. \text{---} \\ \hline 18.513 \\ \backslash 18.479 \\ \hline +0.34 \end{array}$$

7) 14.143

$$\begin{array}{r} 1. \text{---} \\ \hline 15.143 \\ \backslash 18.479 \\ \hline -3.336 \end{array}$$

8) 14.141

$$\begin{array}{r} 1. \text{---} \\ \hline 15.141 \\ \backslash 18.479 \\ \hline -3.338 \end{array}$$

10.002
9.996

LCLS X RAY OPTICS

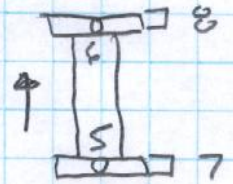
10.20-09

JM, LG

LAB DATA

SXR COLLIMATOR LONG
SN 3

(Y)



HOLE ON CENTER OF FLANGES .264"

u/s

D/S

$$\begin{array}{r} +) 7.168 \\ \quad .132 \\ \hline 7.300 \end{array} \quad \begin{array}{r} -) 7.144 \\ \quad .132 \\ \hline 7.276 \end{array}$$

$$\begin{array}{r} +) 7.164 \\ \quad .132 \\ \hline 7.296 \end{array} \quad \begin{array}{r} -) 7.164 \\ \quad .132 \\ \hline 7.296 \end{array}$$

u/s APERTURE .138"φ

D/S HOLE .180"φ

19.474 REF.

7.296 HI

$$\begin{array}{r} 7.227 \\ \quad .069 R \\ \hline 7.296 \end{array}$$

$$\begin{array}{r} 7.206 \\ \quad .090 R \\ \hline 7.296 \end{array}$$

$$\begin{array}{r} 19.474 \\ \quad 7.296 \\ \hline 12.178 = \end{array}$$

+ 7.296 HI

YAG

$$\begin{array}{r} +.084 \\ -.079 \\ \hline \boxed{+.003} \end{array}$$

$$\begin{array}{r} 5) 2.951 \\ \quad 1. \\ \hline 3.951 \\ \quad 7.296 \\ \hline \boxed{+3.345} \end{array}$$

$$\begin{array}{r} 6) 2.957 \\ \quad 1. \\ \hline 3.957 \\ \quad 7.296 \\ \hline \boxed{+3.339} \end{array}$$

$$\begin{array}{r} 7) 6.275 \\ \quad 1. \\ \hline 7.275 \\ \quad 7.296 \\ \hline \boxed{+.021} \end{array}$$

$$\begin{array}{r} 8) 6.272 \\ \quad 1. \\ \hline 7.272 \\ \quad 7.296 \\ \hline \boxed{+.024} \end{array}$$

(Z)

LCLS
XRAY OPTICS
SXR COLLIMATOR LONG
SN3

10.20-09
JM, LG

10.034 READ ON u/s FACE OF FLANGE

-10.034

5) 9.475	6) 13.240	7) 9.430	8) 13.233
1	1	1	1
10.475	14.240	10.430	14.233
10.034	10.034	10.034	10.034
+ .441	+ 4.206	+ .396	+ 4.199