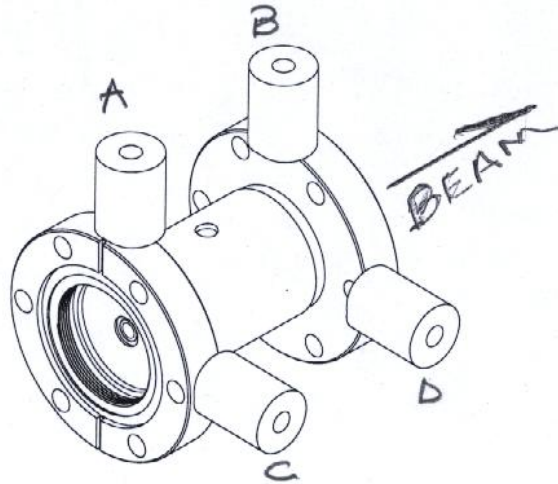


LCLS

10-19-09

X RAY OPTICS
SXR COLLIMATOR LONG
SN2



	X	Y	Z
A	- .047	3.338	+ .468
B	+ .075	3.336	+4.175
C	-3.344	- .011	+ .467
D	-3.340	- .011	+4.181

LAB DATA

(X)

ZCLS

X RAY OPTICS

SXR COLLIMATOR LONG
SN 2

10-19-09
JM, LG

d(s) .080
u(s) .069

18.169
18.215
19.500
19.485

10.000 REF.
18.804
28.804 = ϕ

YAG
+080
-078 +0011

18.714
18.735
- 18.804 LOS

A) 17.757
1. —
18.757
18.804
-.047

B) 17.879
1. —
18.879
18.804
+1.075

C) 14.460
1. —
15.460
18.804
-3.344

D) 14.464
1. —
15.464
18.804
-3.340

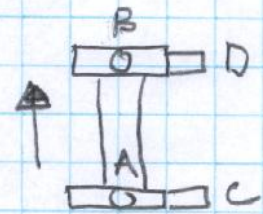
LAB DATA

LCLS
XRAY OPTICS
SXR COLLIMATOR LONG
SN 2

10-19-09
JM, LG.

(Y)

CENTER HOLES ON FLANGE



u/s

p/s

$$\begin{array}{r} +) 7.172 \\ .132R \\ \hline \backslash 7.304 \end{array}$$

$$\begin{array}{r} -) 7.161 \\ .132 \\ \hline \backslash 7.293 \end{array}$$

$$\begin{array}{r} +) 7.166 \\ .132 \\ \hline \backslash 7.298 \end{array}$$

$$\begin{array}{r} -) 7.166 \\ .132 \\ \hline \backslash 7.298 \end{array}$$

u/s APERTURE .138φ

D/S HOLE .180φ

$$\begin{array}{r} 7.225 \\ .069 \\ \hline \backslash 7.294 HI \\ 19.470 REF. \\ \hline \backslash 12.176 = \Phi \end{array}$$

$$\begin{array}{r} 7.209 \\ .090 \\ \hline \backslash 7.299 \end{array}$$

$$\begin{array}{r} YAG \\ +.081 \\ -.081 \end{array} \boxed{\Phi}$$

7.294HI

$$\begin{array}{r} A) 2.956 \\ 1. \text{---} \\ \hline \backslash 3.956 \\ 7.294 \\ \hline \boxed{+3.338} \end{array}$$

$$\begin{array}{r} B) 2.958 \\ 1. \text{---} \\ \hline \backslash 3.958 \\ 7.294 \\ \hline \boxed{+3.336} \end{array}$$

$$\begin{array}{r} C) 6.305 \\ 1. \text{---} \\ \hline \backslash 7.305 \\ 7.294 \\ \hline \boxed{-.011} \end{array}$$

$$\begin{array}{r} D) 6.305 \\ 1. \text{---} \\ \hline \backslash 7.305 \\ 7.294 \\ \hline \boxed{-.011} \end{array}$$

LAB DATA

(Z)

LCLS
X RAY OPTICS
SXR COLLIMATOR LONG
SNZ

10-20-09
JM, LG

9.064 READ ON U/S FLANGE FACE

- 9.064 LOS

A) 8.532

1 —
—
9.532
9.064

+4.468

B) 12.239

1 —
—
13.239
9.064

+4.175

C) 8.531

1 —
—
9.531
9.064

+4.467

D) 12.245

1 —
—
13.245
9.064

+4.181