

Stream Device Driver

*A flexible driver for a wide range of devices
with byte stream oriented interfaces*

Dirk Zimoch, DELTA

Universität Dortmund, Germany

zimoch@delta.uni-dortmund.de

www.delta.uni-dortmund.de/controls

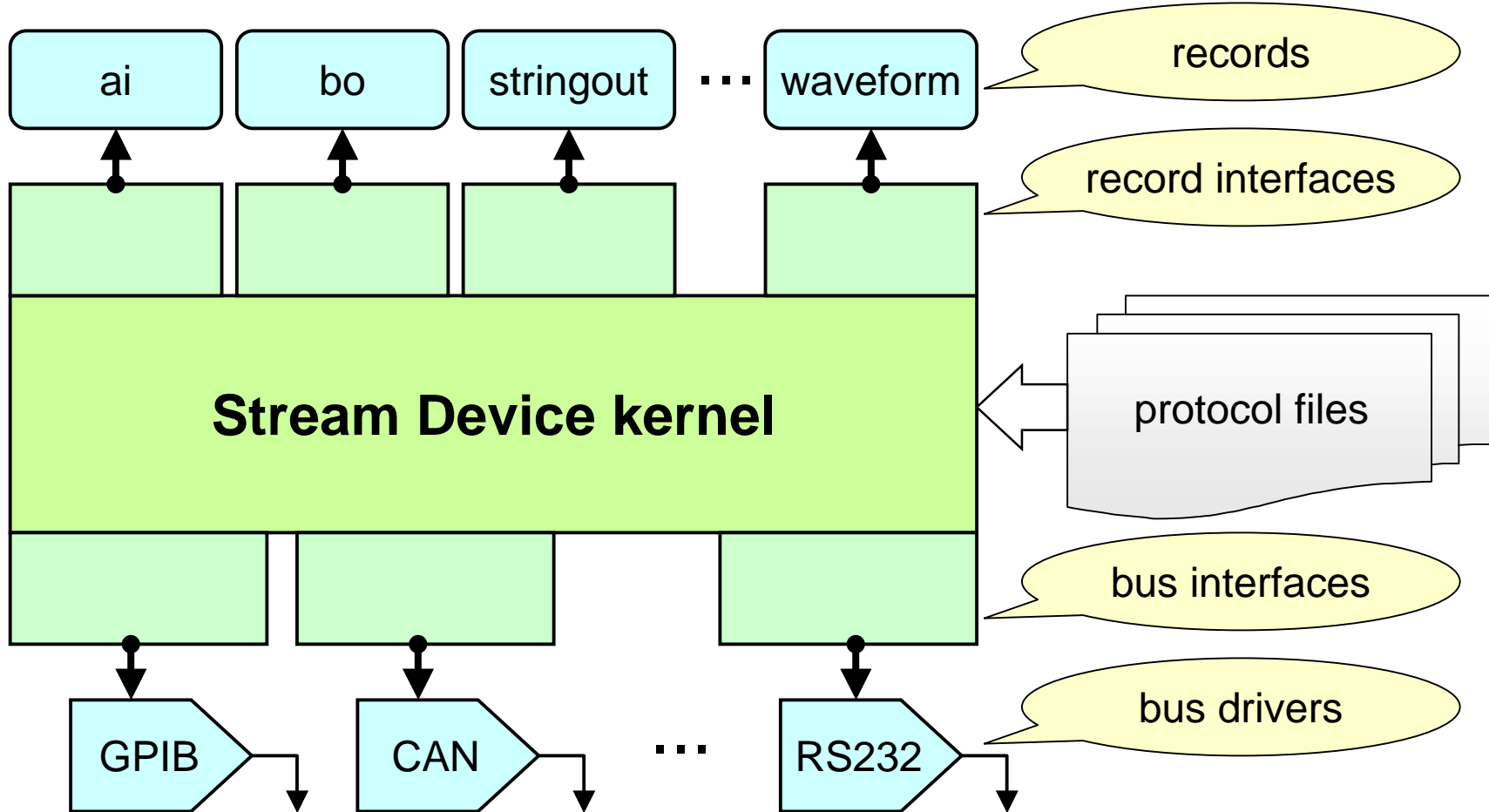
Contents

- Motivation
- Modular Structure
- I/O Protocol
- Record Interfaces
- Bus Interfaces
- Experience
- To Do

Motivation

- Missing support for string i/o on CAN
 - RS232 devices connected via CAN-nodes
 - Problematic EPICS GPIB driver
 - several GPIB devices, some non-standard
 - writing new support for every device is inefficient
 - configured commands better than hardcoded
- One driver for any string based device on any fieldbus wanted

Modular Structure



I/O Protocol

- Device specific
- Independent of bus architecture and record type
- Plain text file, easy to configure
- Sequence of commands
- ASCII and binary data i/o
- printf/scanf-like formatting

Commands

- `out string;`
Writes *string* to output
- `in string;`
Matches input against *string*
- `wait time;`
Waits *time* milliseconds
- `event timeout;`
Waits for *timeout* milliseconds for event

Links and Protocols

Protocol File "HP-54520"

```
#HP oscilloscope 54520
Terminator = LF;

info {
    out "%s";
    in "%39c";
}
range {
    out "CHAN\${1}:RANG?";
    in "%f";
}
rangeSet {
    out "CHAN\${1}:RANG %f";
}
```

Record Examples

```
record (stringout "scope-info")
{
    field (DTYP, "stream")
    field (OUT, "@HP-54520 info gpib 7")
}

record (ai, "scope-range1")
{
    field (DTYP, "stream")
    field (INP, "@HP-54520 range(1) gpib 7")
}

record (ao, "scope-range2:set")
{
    field (DTYP, "stream")
    field (OUT, "@HP-54520 rangeSet(2) gpib 7")
}
```

Formatted I/O

- Standard printf/scanf conversions
 - analog: %f, %e, %E, %g, %G
 - integer: %i, %d, %u, %o, %x, %X
 - string: %s, %c, %[charset]
- Additional conversions
 - binary: %b
 - raw bytes: %r (big and little endian)
 - BCD: %D (signed and unsigned)
 - enumeration: %*{string0|string1|...}*

Record Interfaces

- Interfaces for common record types exist:
ao, ai, longout, longin, stringout, stringin,
bo, bi, mbbo, mbbi, mbboDirect, mbbiDirect,
waveform
- New record types can be added
- Supports scalar and array data types
- Easy to write (\approx 1 kbyte C-code)

Bus Interfaces

- Existing interfaces:
 - GPIB (Microsys IEC03)
 - CAN (ESD CAN02)
 - RS232 (TEWS TIP866, by Juraj Krempasky, SLS)
- Can be extended to other bus types
- Not so easy to write
- Knowledge of bus driver and/or bus hardware (i/o board) required

Experience

- In use since 1999
- Currently more than 600 records at DELTA
- About 20 device types
 - Stanford Research Systems DG535 pulse generator
 - item MSE CAN S2 stepper motor control
 - Prema 5001 digital multimeter
 - Danfysik System 8000 power supply
 - Balzers TPG 300 pressure sensor
 - HP oszilloscopes, signal generators, ...
 - ...

To Do

- Protocol extensions
 - initialization block
 - control flow
- Simplify bus interface
- Additional bus interfaces
 - file and socket interfaces
 - CA interfaces (e.g. to string records)
 - LAN-GPIB interface

download and documentation:
www.delta.uni-dortmund.de/controls