

This template Crane Lift Procedure is available to help meet the requirements for crane use at SLAC.

Description of Lift:

Detailed Description of lift: *Include a sketch. Sketch must include:*

- a) configuration of rigging,*
- b) working load allowed by rigging choice and configuration,*
- c) weight of load*

Date: _____

Person submitting request (name, phone): _____

Name of Operator(s): _____

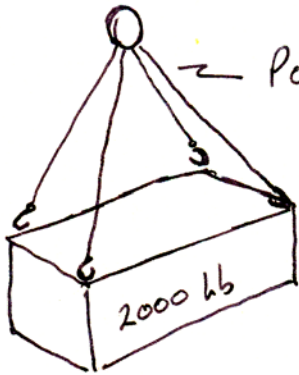
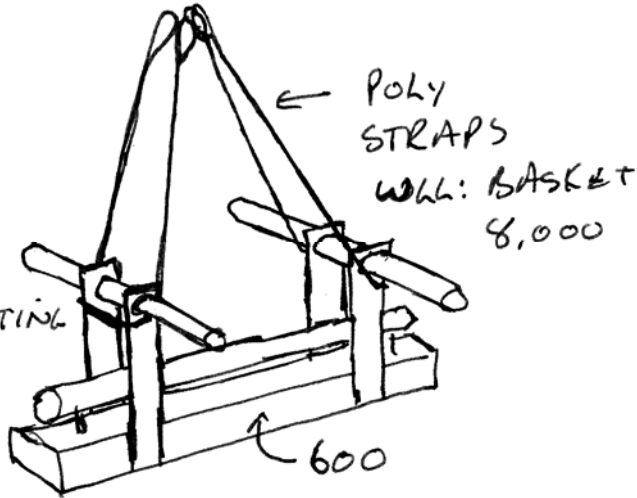
Approval: _____

Fax this procedure to x3030. Page Joe Kenny at 570-8742. If verbal approval is given, note "verbal approval by phone (or email) – Approver's name – Your name – signature – date"

Examples of lifting sketches:

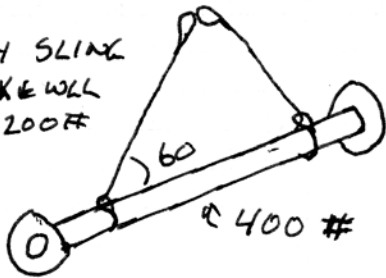
Accelerator
STRUCTURE

2 SLINGS
BASKET
AROUND LIFTING
HANDLES



Polyester
SLING
WLL: 10,600

POLY SLING
CHOKER WLL
4200#



- List of beam pipe
- 2 poly slings
choker on
pipe.