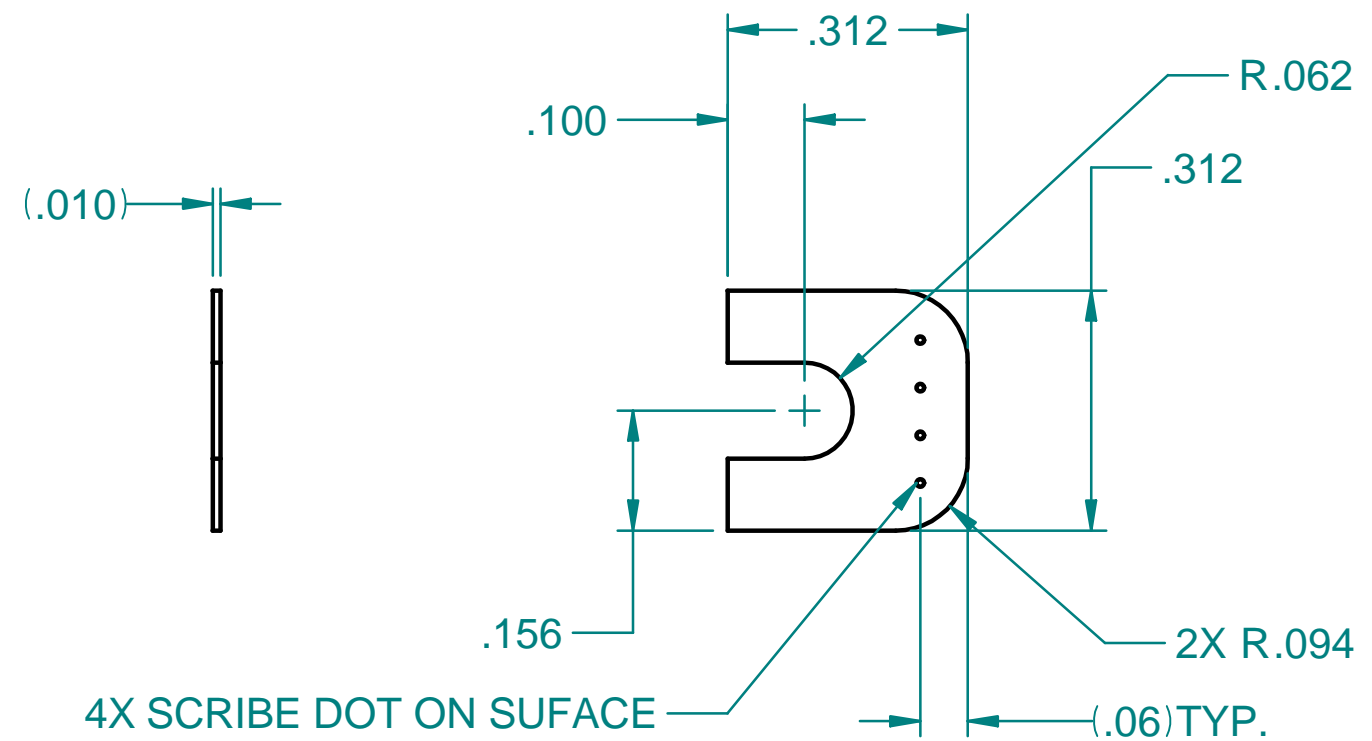


THE DRAWINGS, SPECIFICATIONS AND OTHER DATA HEREIN PROVIDED SHALL NOT BE COPIED, PUBLISHED OR OTHERWISE FURTHER DISSEMINATED WITHOUT PRIOR WRITTEN PERMISSION OF STANFORD UNIVERSITY/SLAC

PF-381-905-64 0 B

REV	DESCRIPTION	DWN	CHKR	APVD	DATE
-----	-------------	-----	------	------	------



NOTES: UNLESS OTHERWISE SPECIFIED  
 1 BAG AND LABEL WITH PART NUMBER AND REVISION.

	SHIM STOCK .010 THK. BRASS
STOCK NO	MATERIAL DESCRIPTION

---	SCALE: 4:1 DO NOT SCALE DRAWING		CAD FILE NAME: pf38190564-0.dft
---	DIMENSIONING AND TOLERANCING IS IAW ASME Y14.5M-1994 AND Y14.41-2003		<b>LCLS MAGNET SYSTEM          MAGNET CASSETTE ASSY          MAG BLK SHIM .010</b> ---
---	UNLESS OTHERWISE SPECIFIED DIMENSIONS ARE IN INCHES. TOLERANCES: BREAK EDGES .005-.015 INTERNAL CORNERS R.015 MAX		
SA-381-905-54	FRACTIONS ± ---	ENGR T. MONTAGNE	
SA-381-905-53	DEC .XX ± ---	DWN J. STIEBER 3/20/12	
	.XXX ± .005	CHKR T. MONTAGNE	
NEXT ASSEMBLIES:	.XXX ± ---	APPROVALS	
	ANGLE ± ---	T. MONTAGNE ---	DRAWING NUMBER
	ALL SURF 32 ✓	J. STIEBER ---	PF-381-905-64
			REVISION NUMBER
			0
			B

LCLS MAG CASSETTE SHIM .010

1 OF 1 SHEET