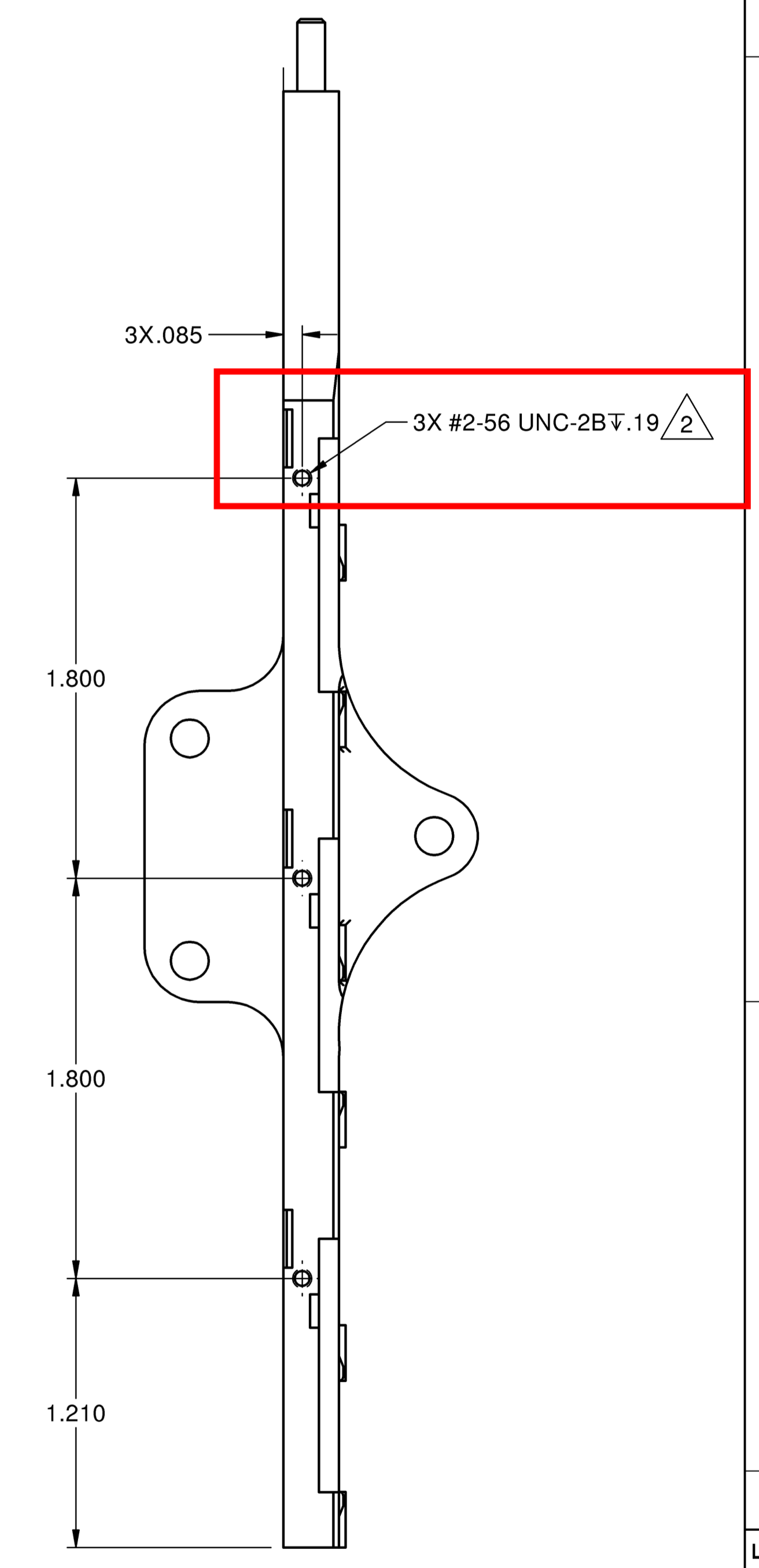
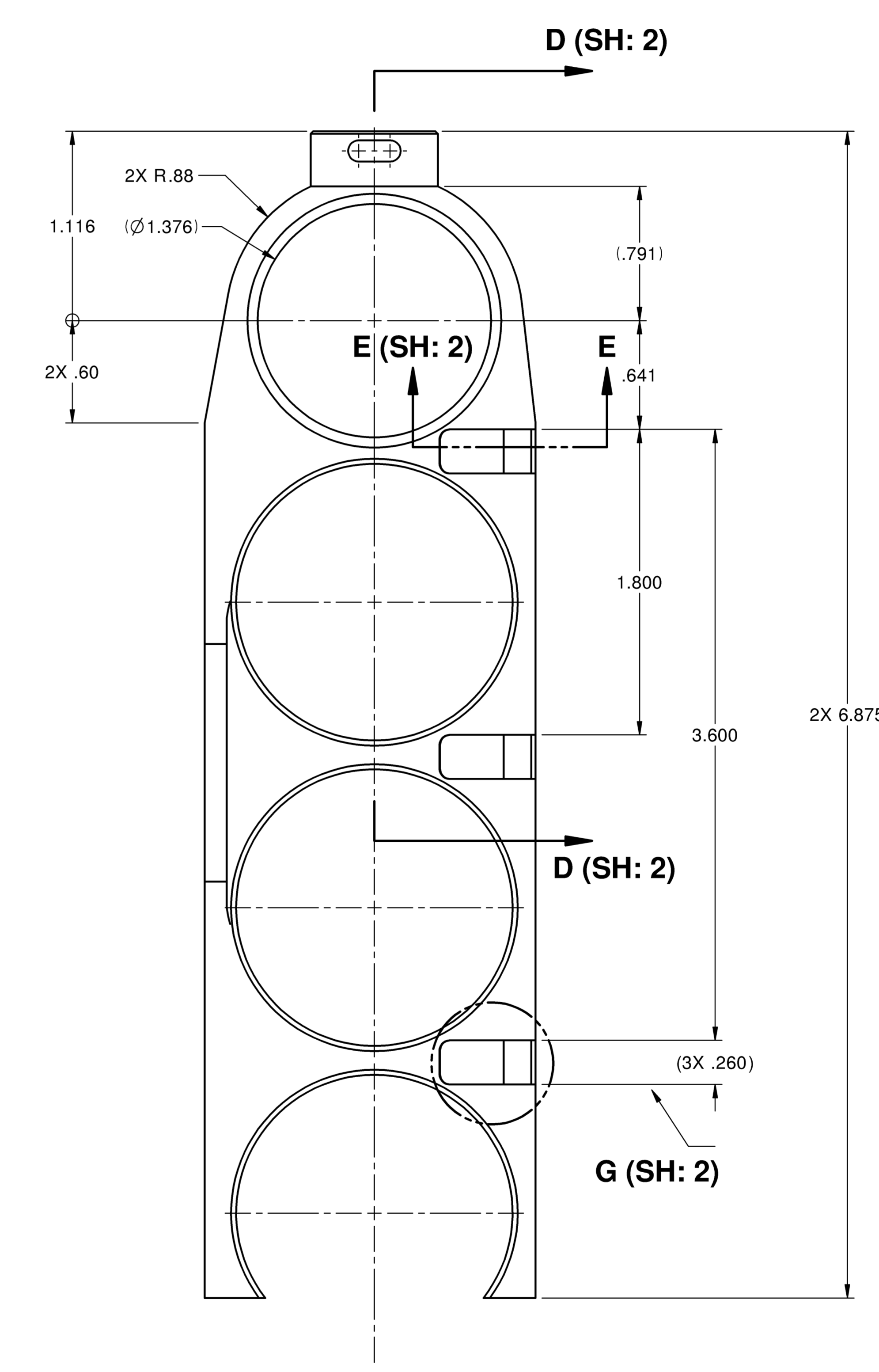
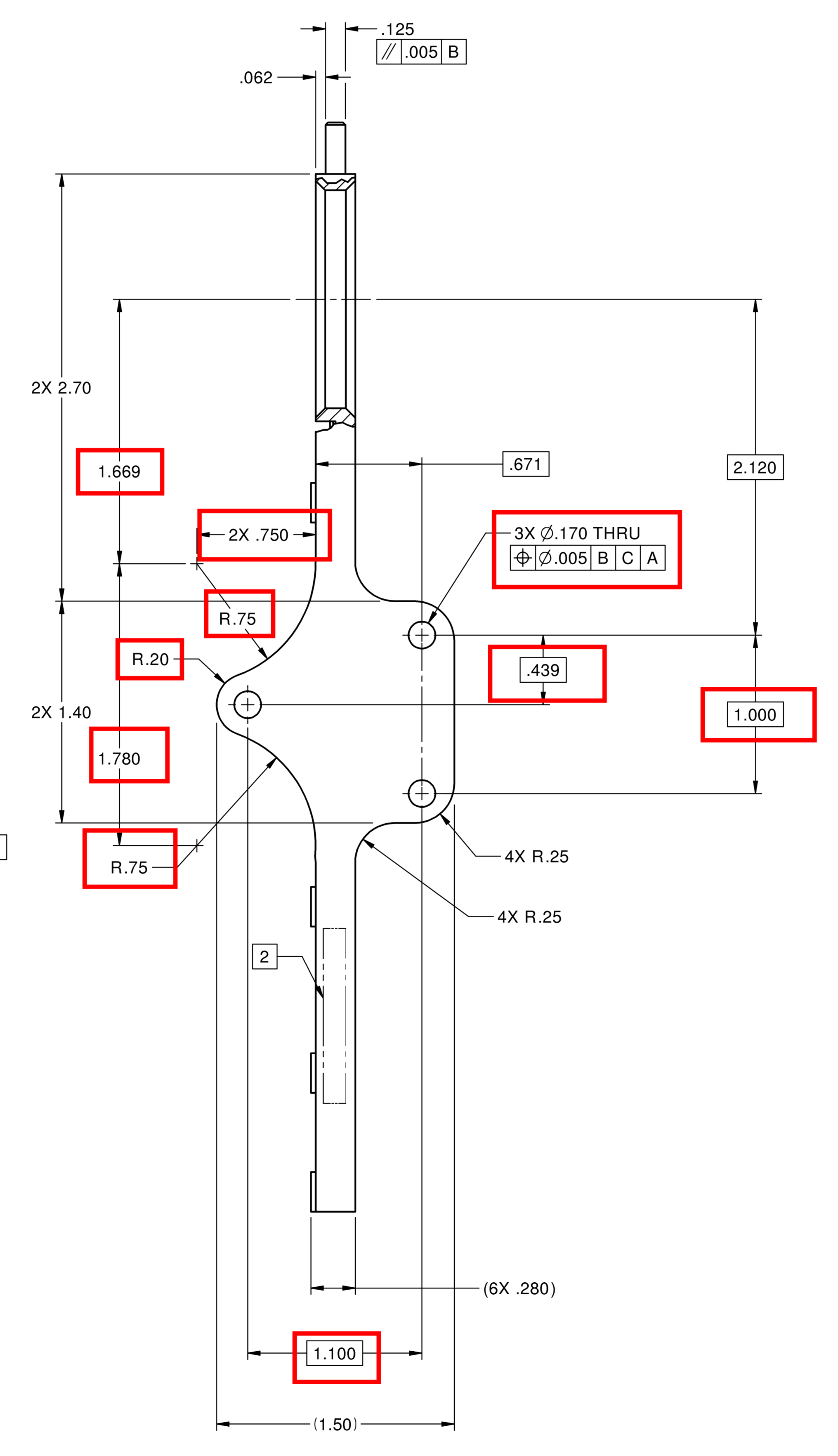
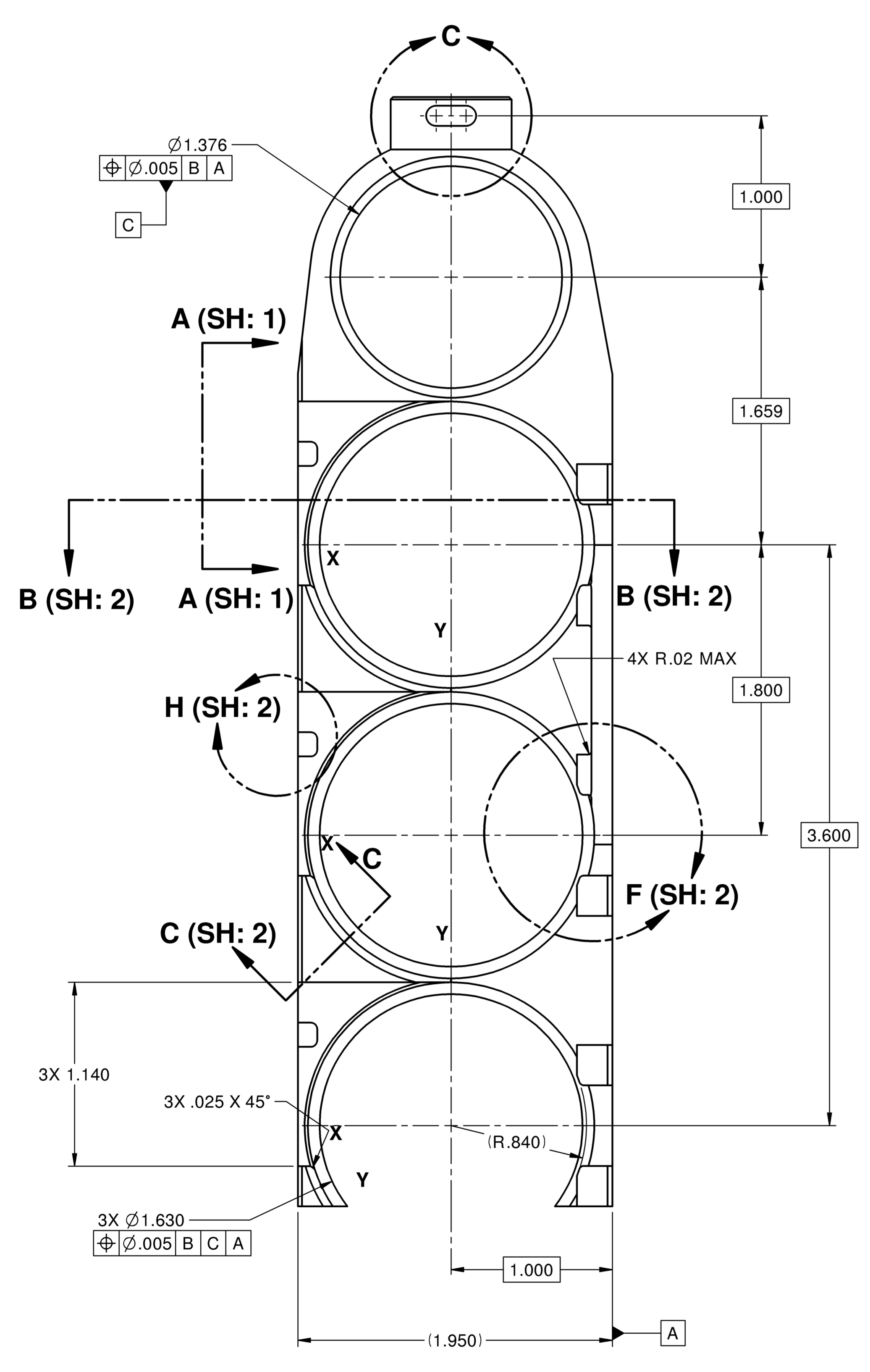
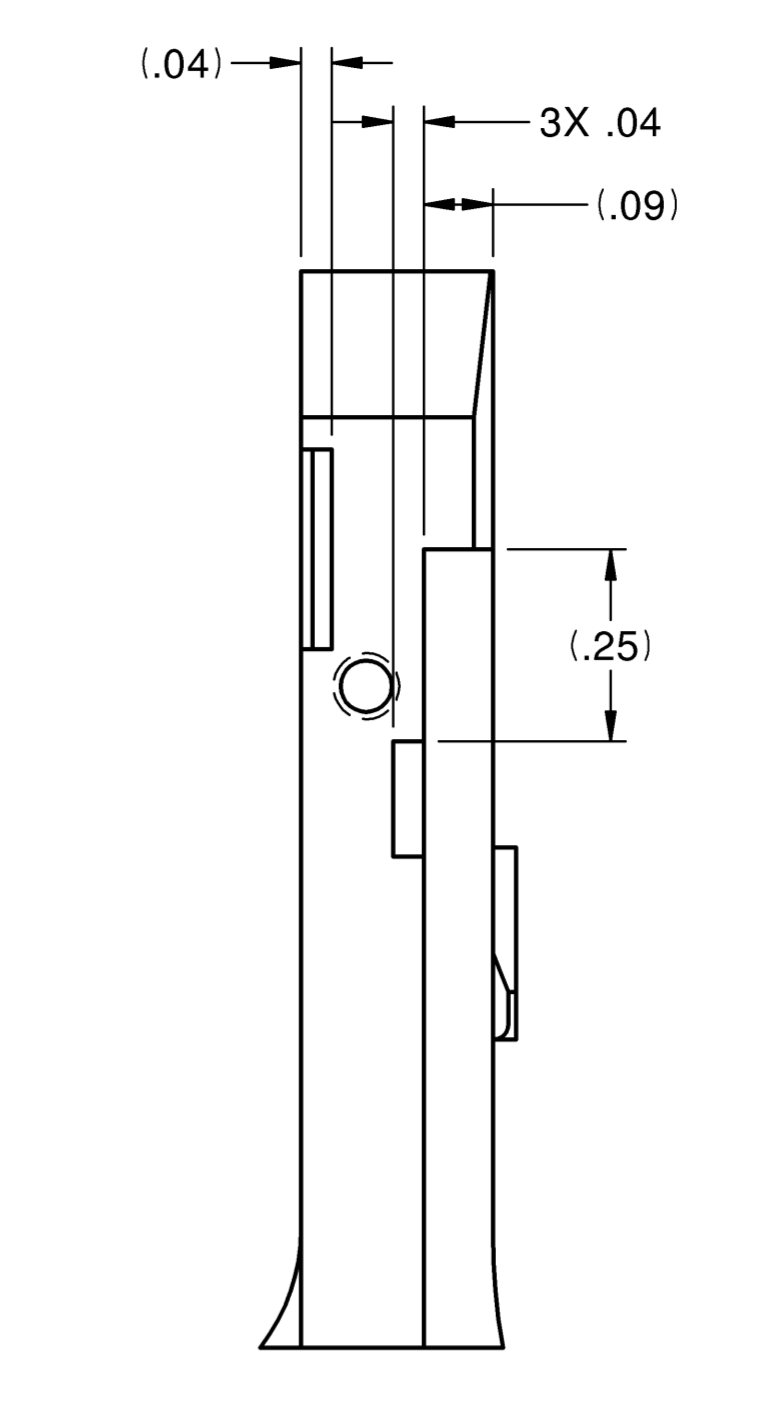
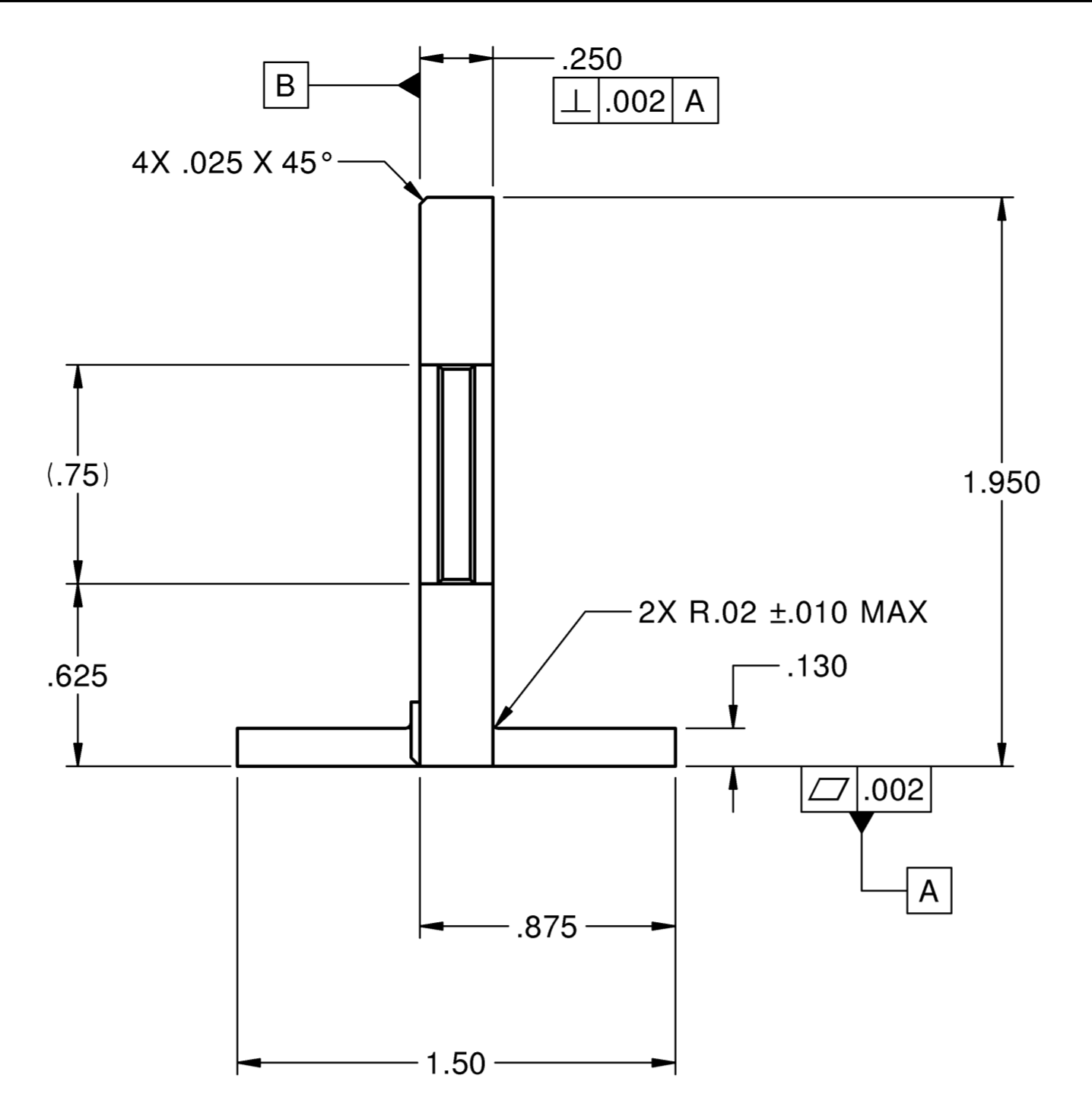
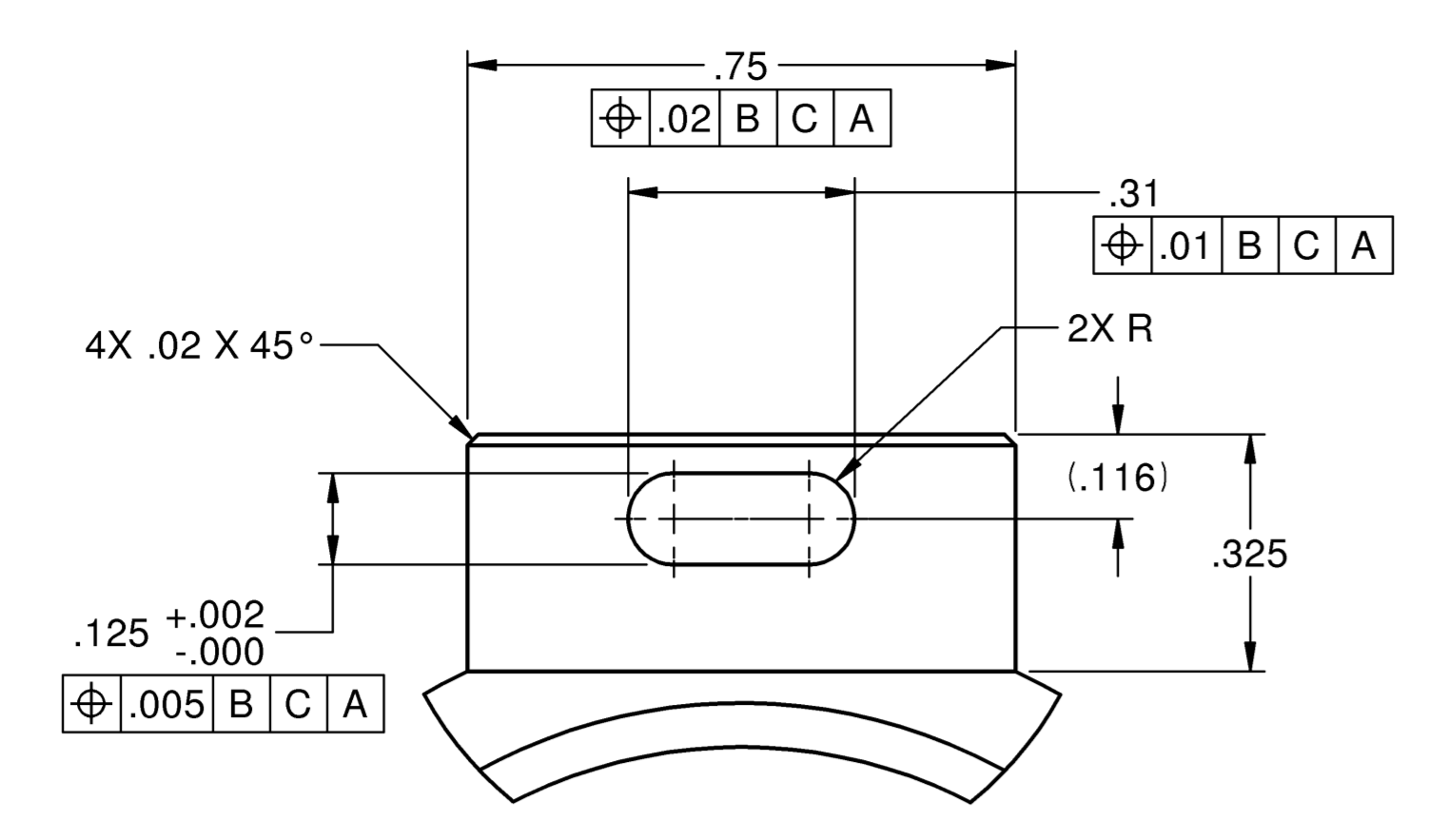


REV	DESCRIPTION	DWN	CHKR	APPV	DATE
1	PER ECR-1183, ADDED FEATURES	RW	OF	AC	10/07/2015
2	PER ECR-1332, ADDED TAPPED HOLE	NH	DF	AT	05/19/2018

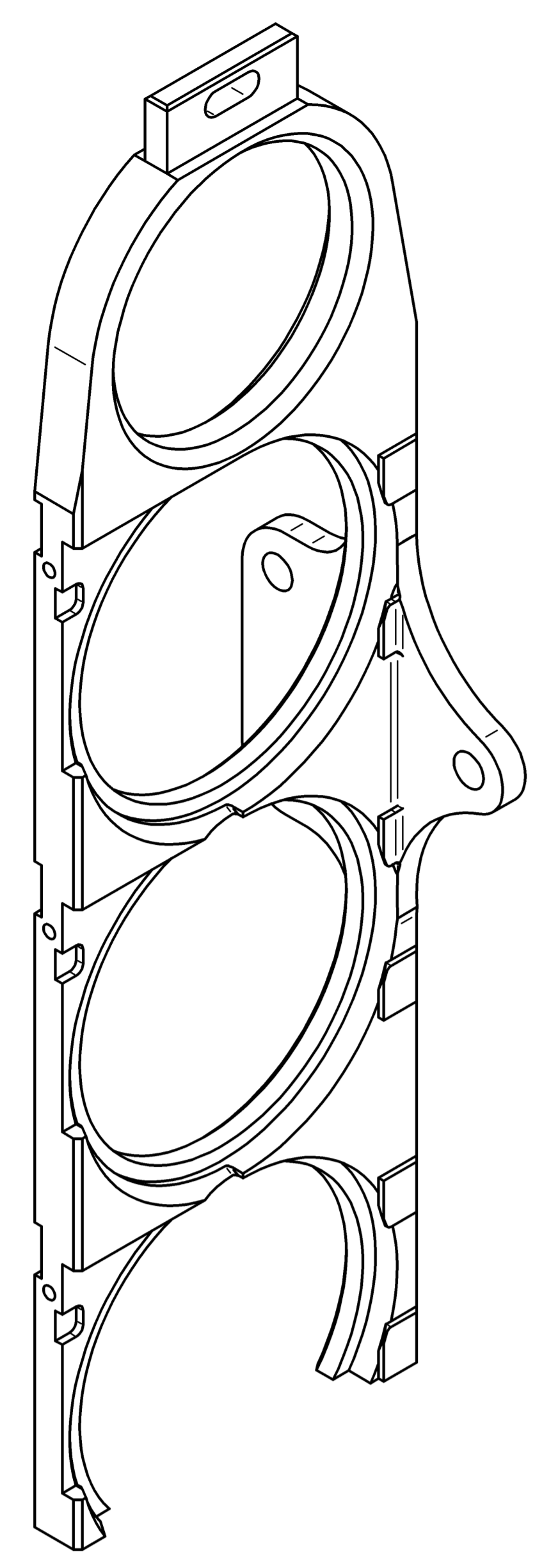


- NOTES: UNLESS OTHERWISE SPECIFIED
- AFTER FABRICATION, DEGREASE AND CLEAN W/ ALCOHOL, WRAP IN TISSUE AND FOIL, PROTECT FROM HANDLING DAMAGE.
 - INSCRIBE OR ENGRAVE PART NUMBER AND REVISION APPROX WHERE SHOWN, .010 DEEP MAX.
 - UHV HANDLING: AFTER UHV CLEANING OR PLATING, HANDLE WITH CLEAN LATEX OR NITRILE GLOVES IN/ON A CLEAN ROOM/SURFACE.
 - FOR STORAGE OR SHIPPING: PLACE IN CLEAN, SEALED, VAC GRADE PLASTIC BAG THAT IS BACK-FILLED WITH NITROGEN, WITH PART NUMBER AND REV VISIBLE. ALTERNATIVELY, PARTS MAY BE WRAPPED IN CLEAN LINT FREE TISSUE AND UHV FOIL, AND SEALED IN CLEAN PLASTIC BAGS WITH PART NUMBER AND REV VISIBLE.

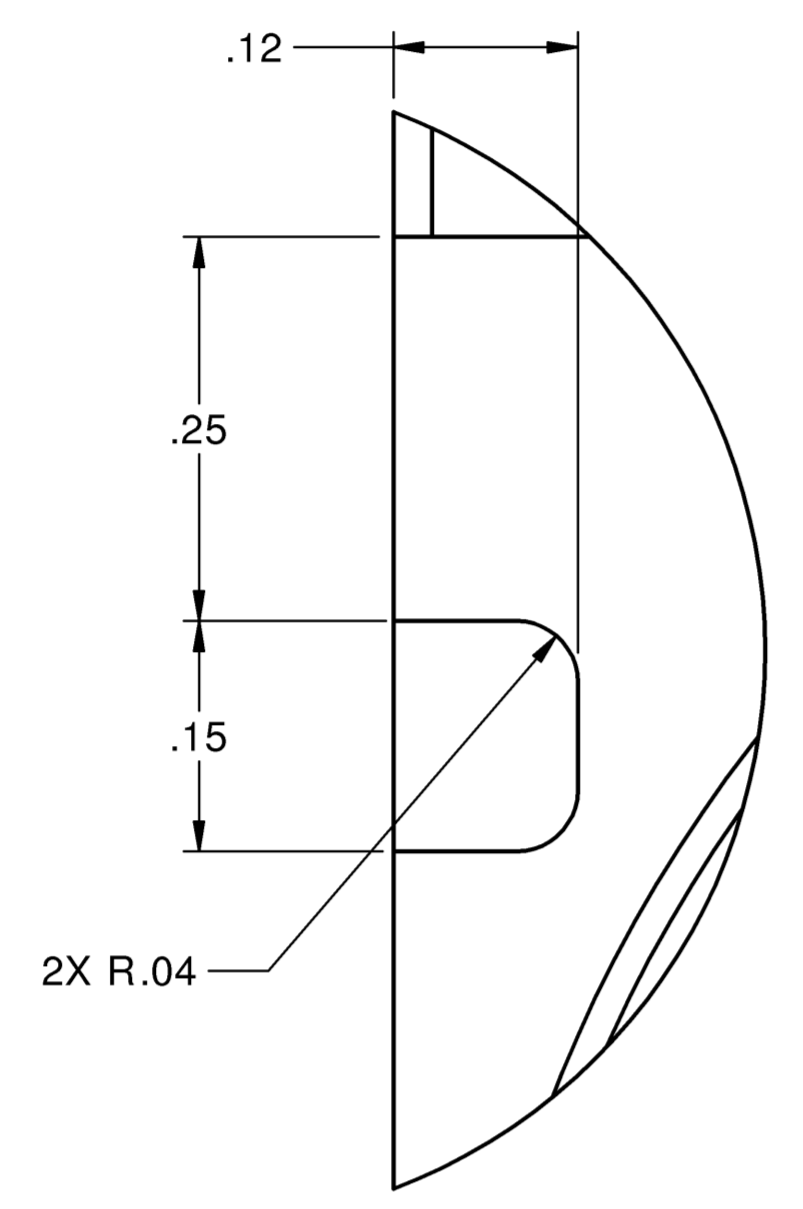
ULTRA HIGH VAC PART
FABRICATE PER FP-202-631-14

SA-380-517-50	ALUMINUM ALLOY 6061-T6	STOCK NO	MATERIAL DESCRIPTION
ESTIMATED MASS: .114 LB	CAD FILE NAME: pf38051751-2.dft	LCLS DIAGNOSTIC SYSTEMS MULTI YAG ROUND ASSY HOLDER MULTI YAG ROUND	
SCALE: 2:1	U.S. DEPARTMENT OF ENERGY	DRAWING NUMBER	REVISION NUMBER
SA-380-517-50	SLAC	PF-380-517-51	2
NEXT ASSEMBLIES:	FOR A. DILLOS, PWN B. WHITNEY, ENR O. LEINER	FOR A. DILLOS, PWN B. WHITNEY, ENR O. LEINER	

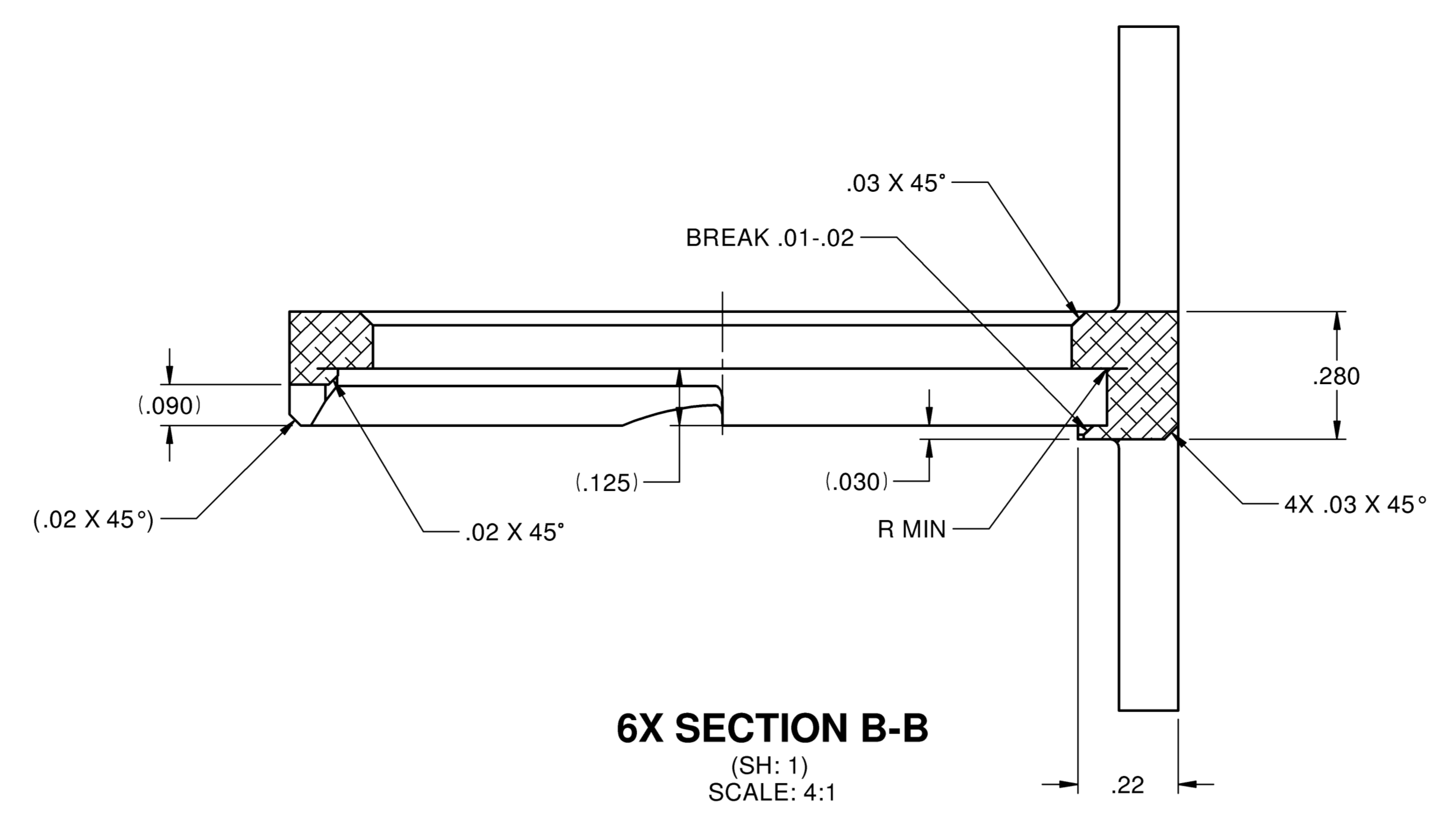
REV	DESCRIPTION	DWN	CHKR	APV	DATE
SEE SHT 1					



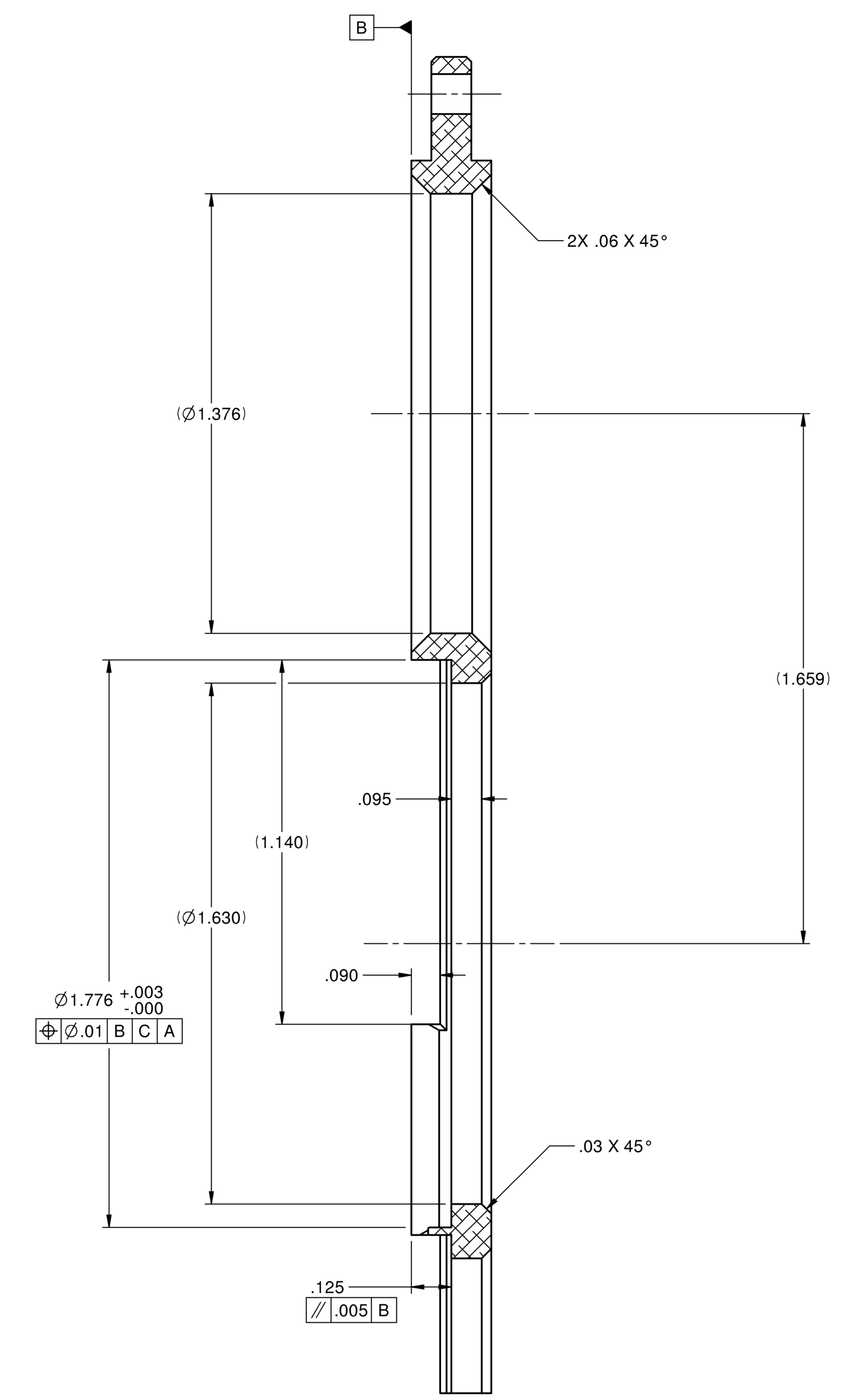
ISOMETRIC VIEW
SCALE: 2:1



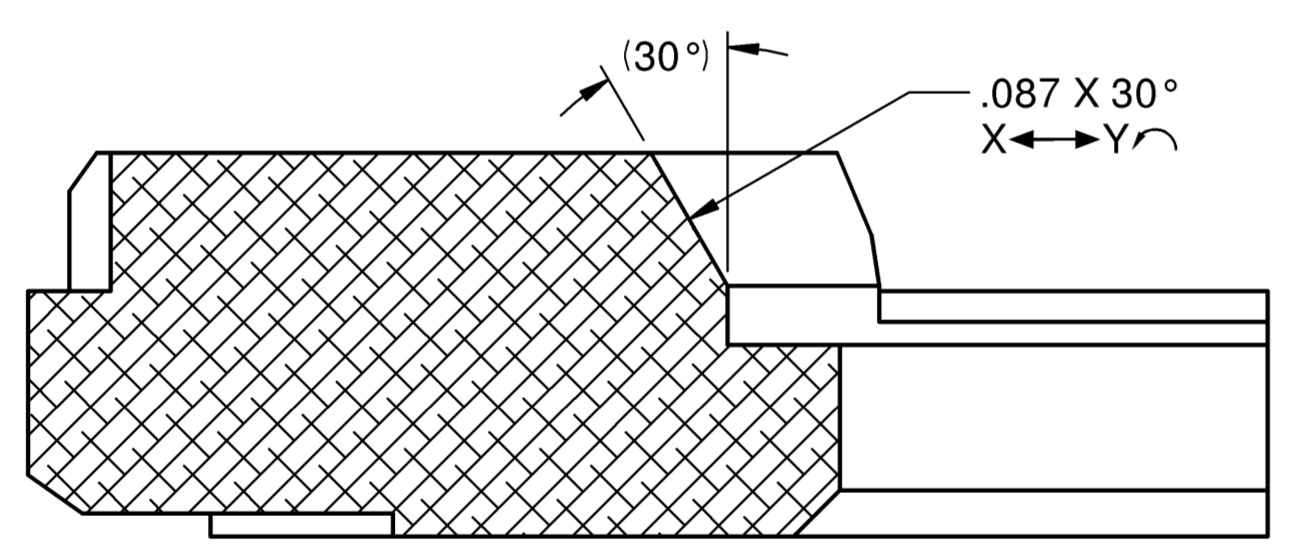
3X DETAIL H
(SH: 1)



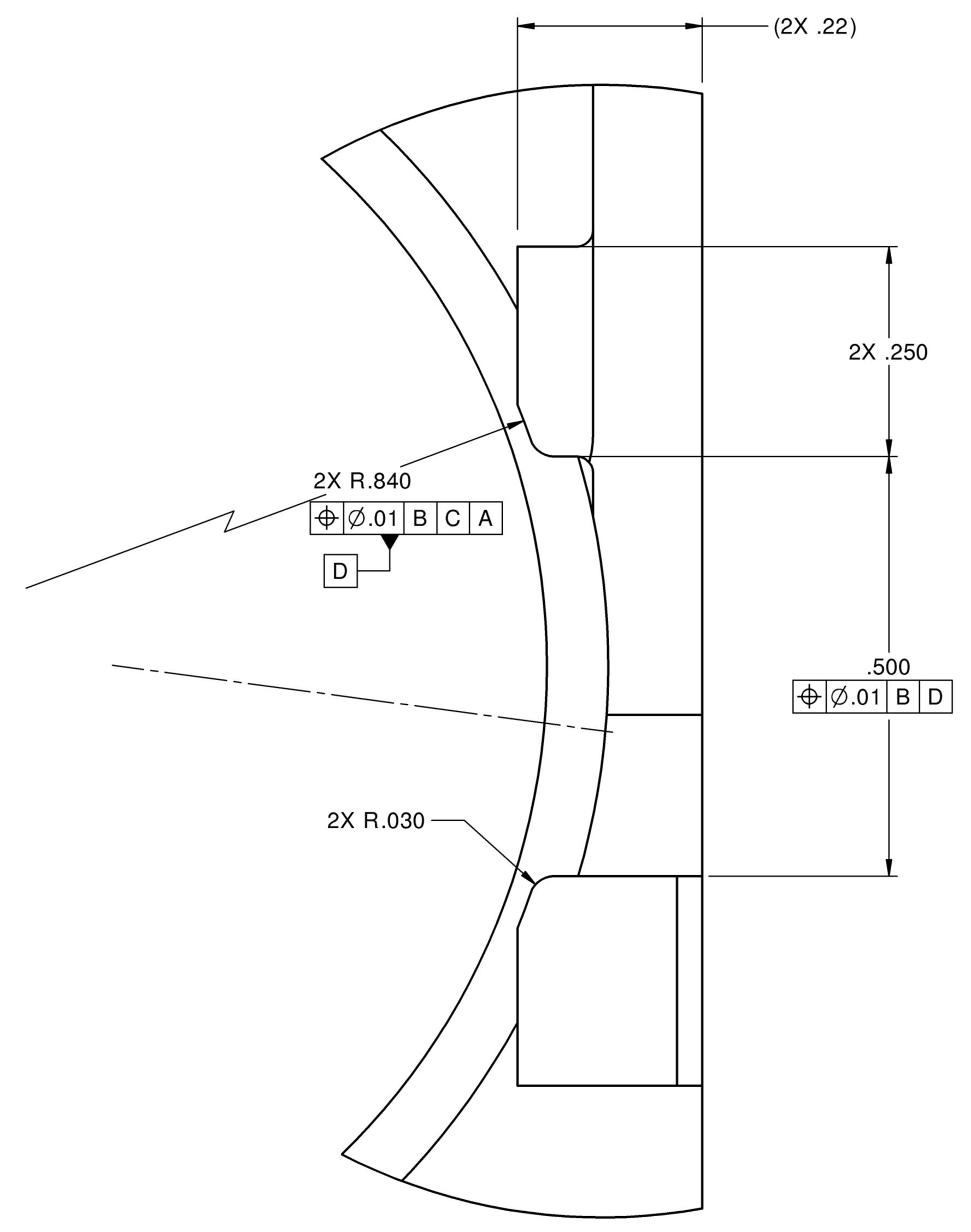
6X SECTION B-B
(SH: 1)
SCALE: 4:1



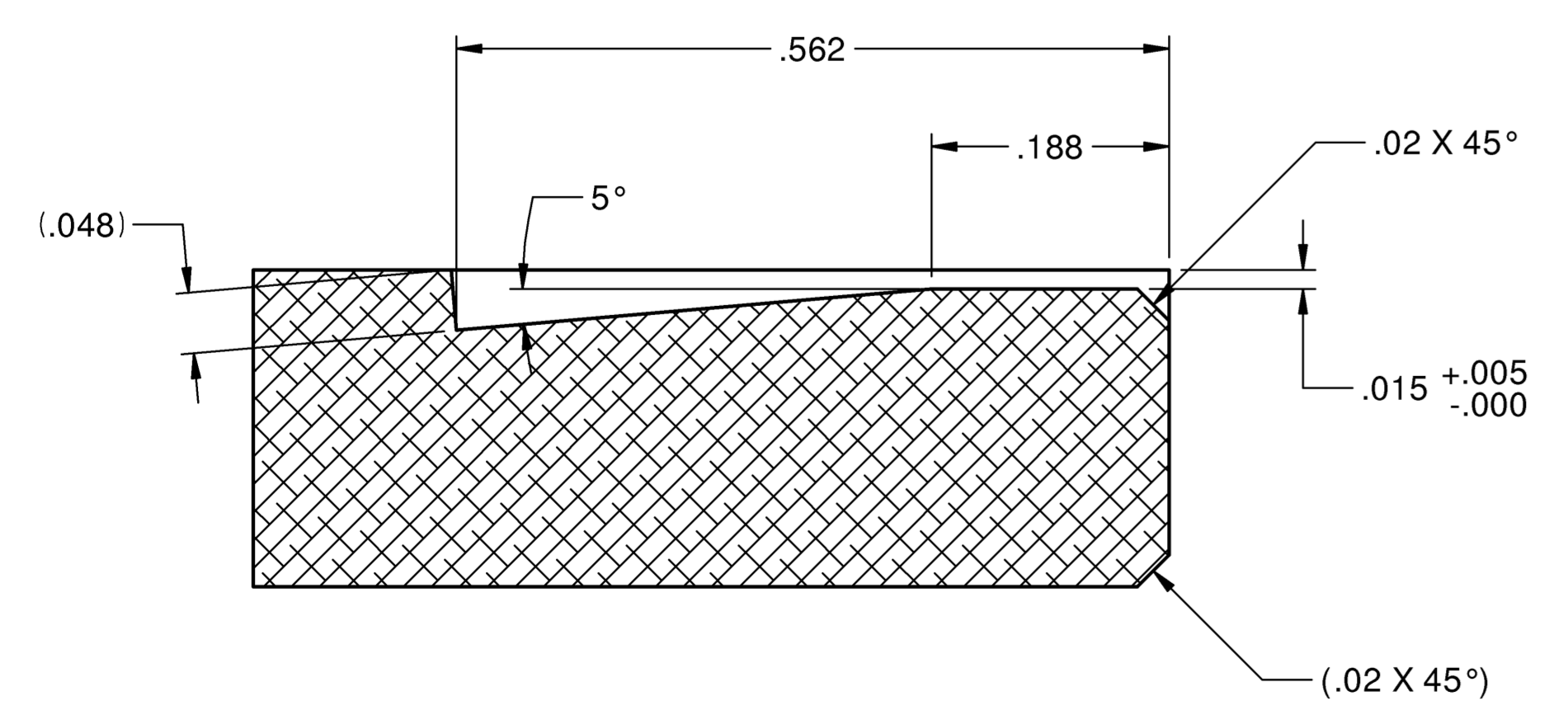
3X SECTION D-D
(SH: 1)
SCALE: 4:1



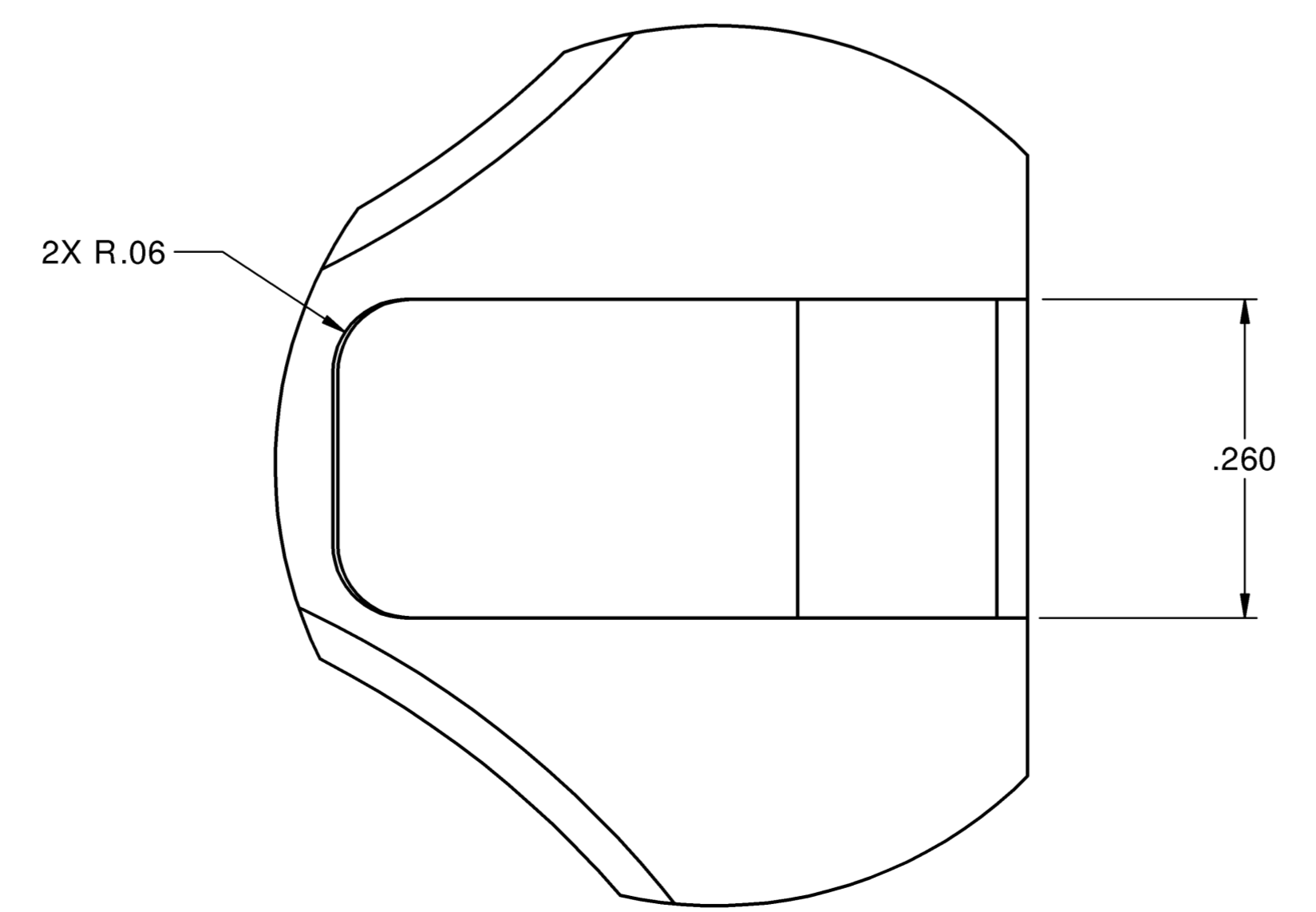
3X SECTION C-C
(SH: 1)
ROTATED: 315°



3X DETAIL F
(SH: 1)



3X SECTION E-E
(SH: 1)



3X DETAIL G
(SH: 1)

DIMENSIONING AND TOLERANCING IS IN ACCORDANCE WITH ASME Y14.5-2009 UNLESS OTHERWISE SPECIFIED, DIMENSIONS ARE IN INCHES. TOLERANCES: BREAK EDGES: .005-015 INTERNAL CORNERS: R10 IS MAX FRACTIONS: 1/16 DEC: .xxx .01 .xxxx .005 .xxxxx .001 ANGLE: ± 1° ALL SURF.	SCALE: 8:1 ESTIMATED MASS: .114 LB CAD FILE NAME: pf38051751-2.dft	SLAC NATIONAL ACCELERATOR LABORATORY U.S. DEPARTMENT OF ENERGY THE DRAWINGS, SPECIFICATIONS AND OTHER DATA HEREIN PROVIDED SHALL NOT BE COPIED, PUBLISHED OR OTHERWISE FURTHER DISSEMINATED WITHOUT PRIOR WRITTEN PERMISSION OF STANFORD UNIVERSITY/SLAC. ENGR. A. PADILLOS DWN. R. WHITNEY CHKR. O. EGENER	LCLS DIAGNOSTIC SYSTEMS MULTI YAG ROUND ASSY HOLDER MULTI YAG ROUND DRAWING NUMBER: PF-380-517-51 REVISION NUMBER: 2
SA-380-517-50 NEXT ASSEMBLIES:	63	STANFORD UNIVERSITY	LCLS DIAGN. SYS. MULTI YAG HLDR RD.

PF-380-517-51 2 OF 2