

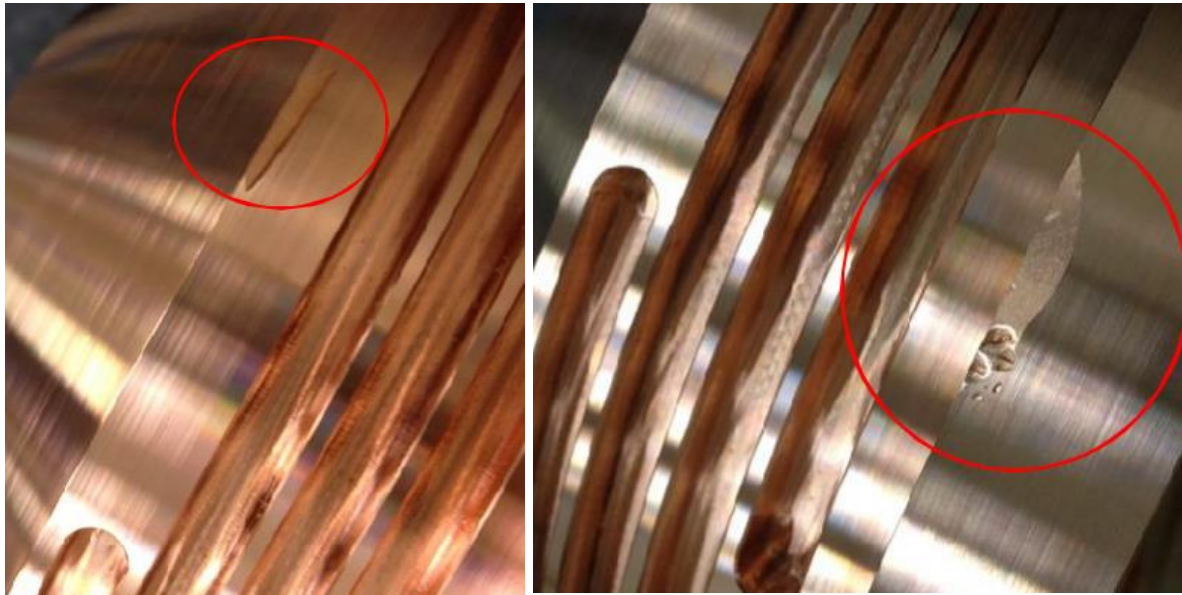
NON-COMPLIANCE REPORT # M-24799

PART NAME: **HALF SPHERE LOWER ROUGH**
PF/SA NO.: **PF-380-616-19 R0**
WORK ORDER NO.: **M-24799**
VENDOR: **KLYSTRON MACHINE SHOP**

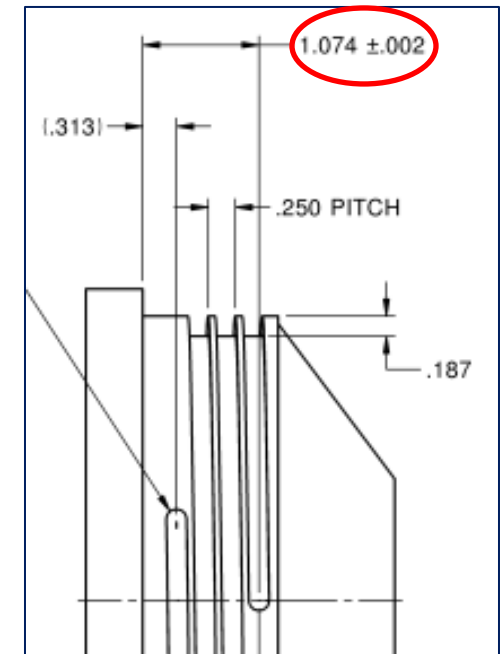
DATE: **2/9/15**
INSPECTOR: **K. CABAN**
ENGINEER: **BOWDEN** EXT.:
ROUTE TO: **KLY**

Reason for Non-Compliance:

1. $1.074 \pm .002$ measures $1.0773 - 1.0778$ ($+.0013 - .0015$ " out of tolerance) on both parts.
2. Dings on SN 102 only, see Image Below.



Disposition (UAI, Rework, Scrap, Other):



Engineer Signature: _____

Date: _____