

NON-COMPLIANCE REPORT # 33413-25 & -26

PART NAME: MIRROR Z STOP
 PF/SA NO.: PF-382-907-43 R0
 WORK ORDER NO.: 33413-25 & -26
 VENDOR: ALTAMONT

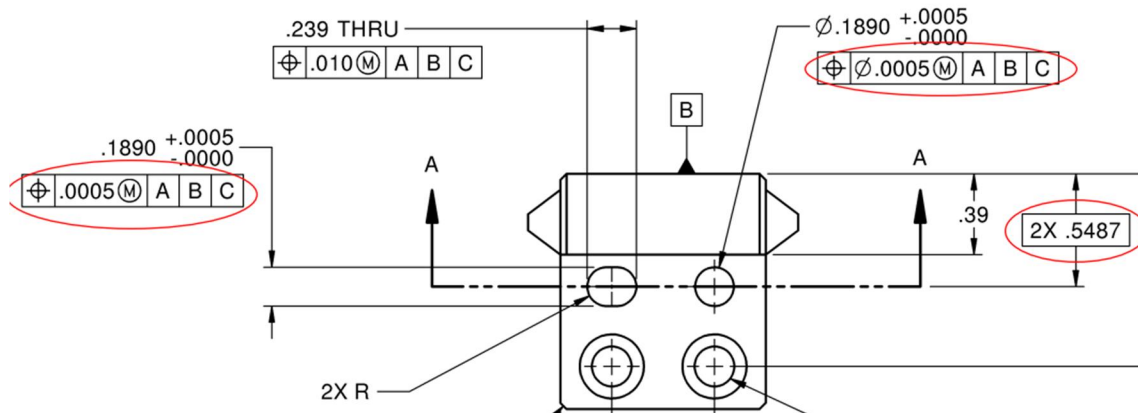
DATE: 12/2/16
 INSPECTOR: K. CABAN
 ENGINEER: C. HARDIN EXT.: 2494
 PLANNER: D. TIBBETTS

Reason for Non-Compliance:

Disposition (UAI, Rework, Scrap, Other):

1. $\varnothing \varnothing .0005 \text{ (M) | A | B | C}$ of $\varnothing .1890$ is out of position on all parts ranging from 0.0028 - 0.0061.
 - a. 2X .5487 distance from Datum -B- measurement ranges from 0.5499 - 0.5512.

2. $\varnothing \varnothing .0005 \text{ (M) | A | B | C}$ of slot $.1890$ is out of position on all parts ranging from 0.0019 - 0.0053.
 - a. 2X .5487 distance from Datum -B- measurement ranges from 0.5490 - 0.5501.



Engineer Signature: _____

Date: _____