

NON-COMPLIANCE REPORT # 33073-91

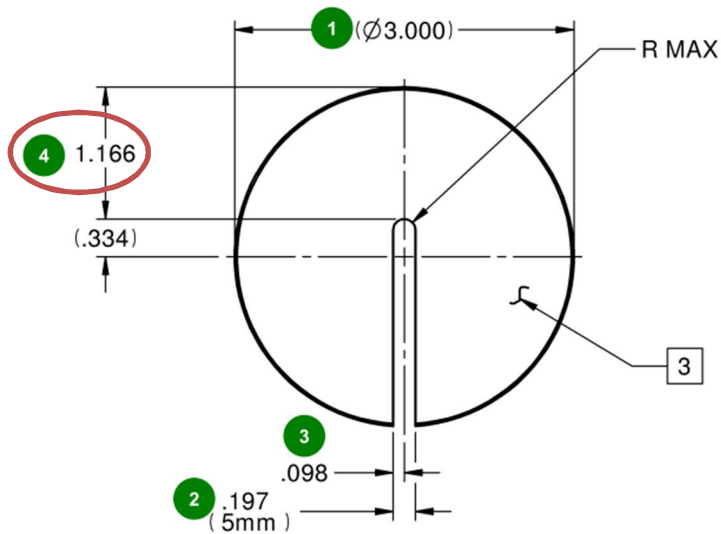
PART NAME: MODIFIED 3.00 MIRROR
PF/SA NO.: PF-391-834-97 R0
WORK ORDER NO.: 33073-91
VENDOR: LATTICE ELECTRO OPTICS

DATE: 6/29/16
INSPECTOR: K. CABAN
ENGINEER: B. ARNOLD EXT.: 8534
PLANNER: DIANNA

Reason for Non-Compliance:

Disposition (UAI, Rework, Scrap, Other):

1. 1.166 ± 0.005 is oversized on SN 1 only measuring 1.1735 (+0.0025" out of tolerance)



Engineer Signature: _____

Date: _____