



NATIONAL ACCELERATOR LABORATORY
Precision Measurement and Inspection

NON-COMPLIANCE REPORT # 32659-50

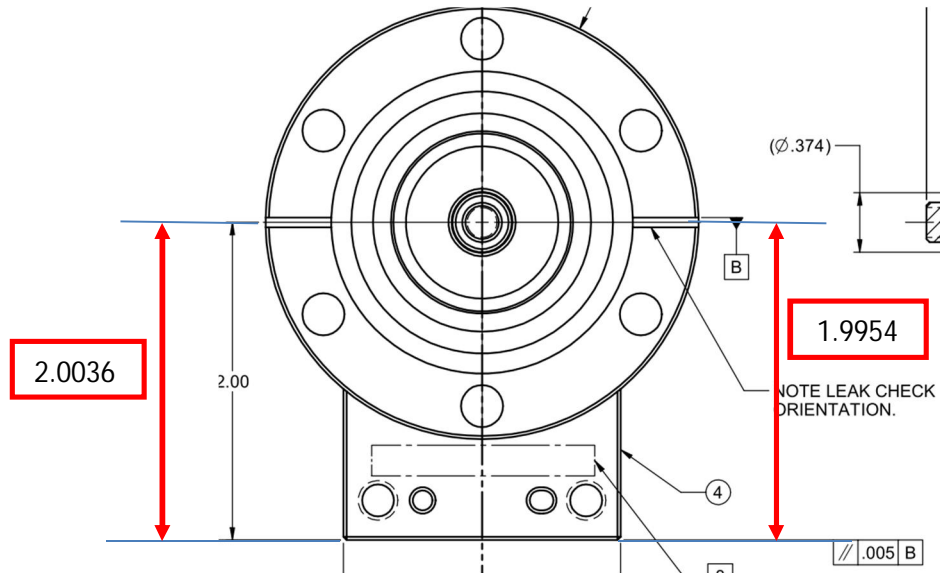
PART NAME: PROBE WELDMENT
PF/SA NO.: SA-382-907-87
WORK ORDER NO.: 32659-50
VENDOR: MFD

DATE: 2/26/16
INSPECTOR: K. CABAN
ENGINEER: V. SRINIVASAN EXT.: 2494
PLANNER: DIANNA T.

Reason for Non-Compliance:

Disposition (UAI, Rework, Scrap, Other):

1. $\boxed{\text{B}}$ is out of tolerance, measuring 0.00815.



Engineer Signature: _____

Date: _____