

NON-COMPLIANCE REPORT # 32054-9

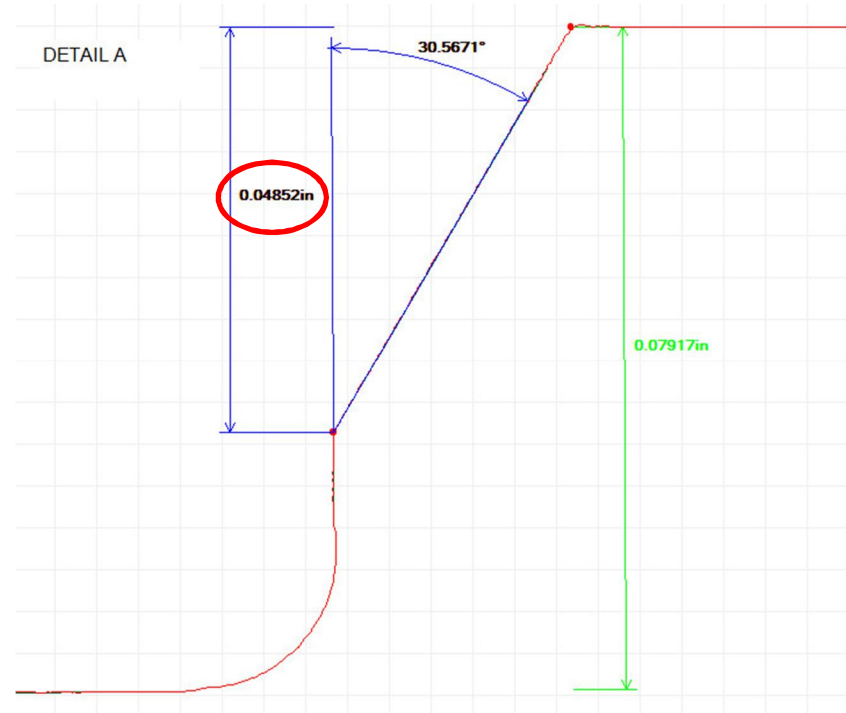
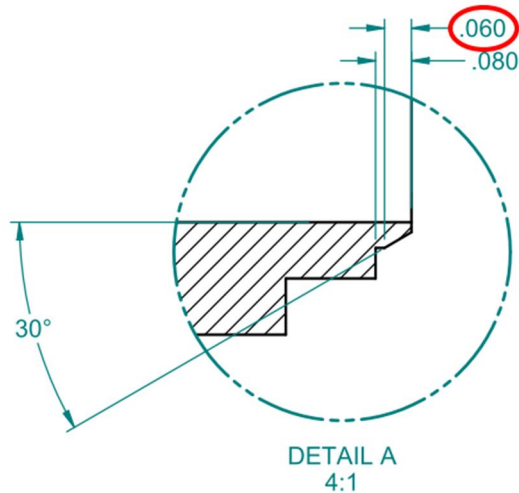
PART NAME: VACUUM TUBE
PF/SA NO.: PF-391-834-15
WORK ORDER NO.: 32054-9
VENDOR: PRO-TEK

DATE: 7/20/15
INSPECTOR: K. CABAN
ENGINEER: JC
PLANNER: DIANNA
EXT.: 5109

Reason for Non-Compliance:

Disposition (UAI, Rework, Scrap, Other):

1. $.060 \pm .005$ measures 0.0485 (-.0075" out of tolerance, see images below for clarity)



Engineer Signature: _____

Date: _____