

REV	DESCRIPTION	DWN	CHKR	APVD	DATE

D

C

B

A

D

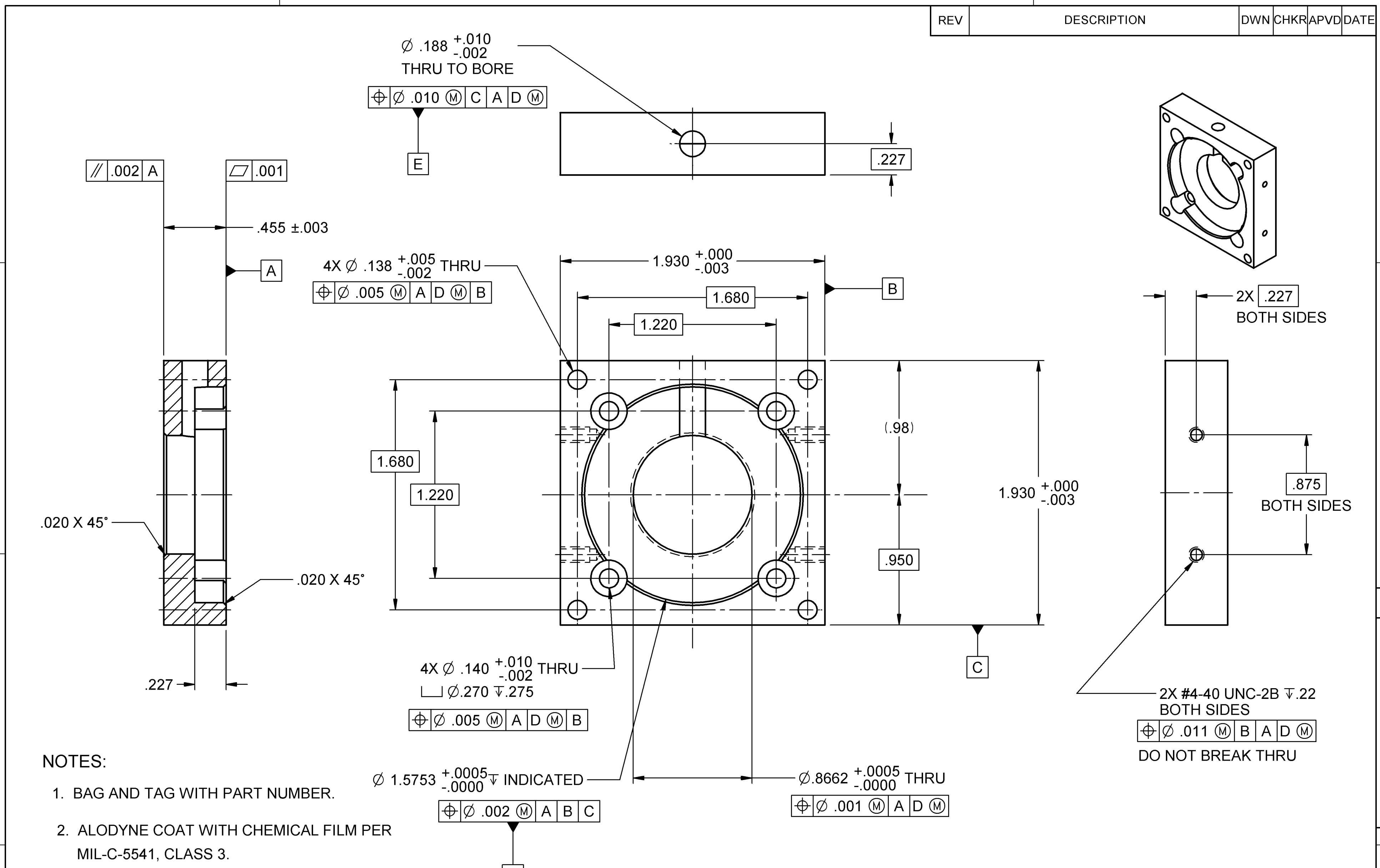
C

C

0

C

SH 1 OF 1



- NOTES:
- BAG AND TAG WITH PART NUMBER.
 - ALODYNE COAT WITH CHEMICAL FILM PER MIL-C-5541, CLASS 3.

---		AL 6061-T6511	
---		STOCK NO	MATERIAL DESCRIPTION
---		DO NOT SCALE DRAWING	CAD FILE NAME: pf38070553-0.dft
---		LCLS MECHANICAL SYSTEMS SMALL RLR CAM POSITIONER MOTOR MOUNT	
---		ENGR G. BOWDEN DWN H. ATILES CHKR G. BOWDEN	DATE 6-05 APPROVALS G. BOWDEN
SA-380-705-50 NEXT ASSEMBLIES:		DRAWING NUMBER PF-380-705-53	REVISION NUMBER 0

4

3

2

LCLS MECH SM CM PSNR MOT MOUNT