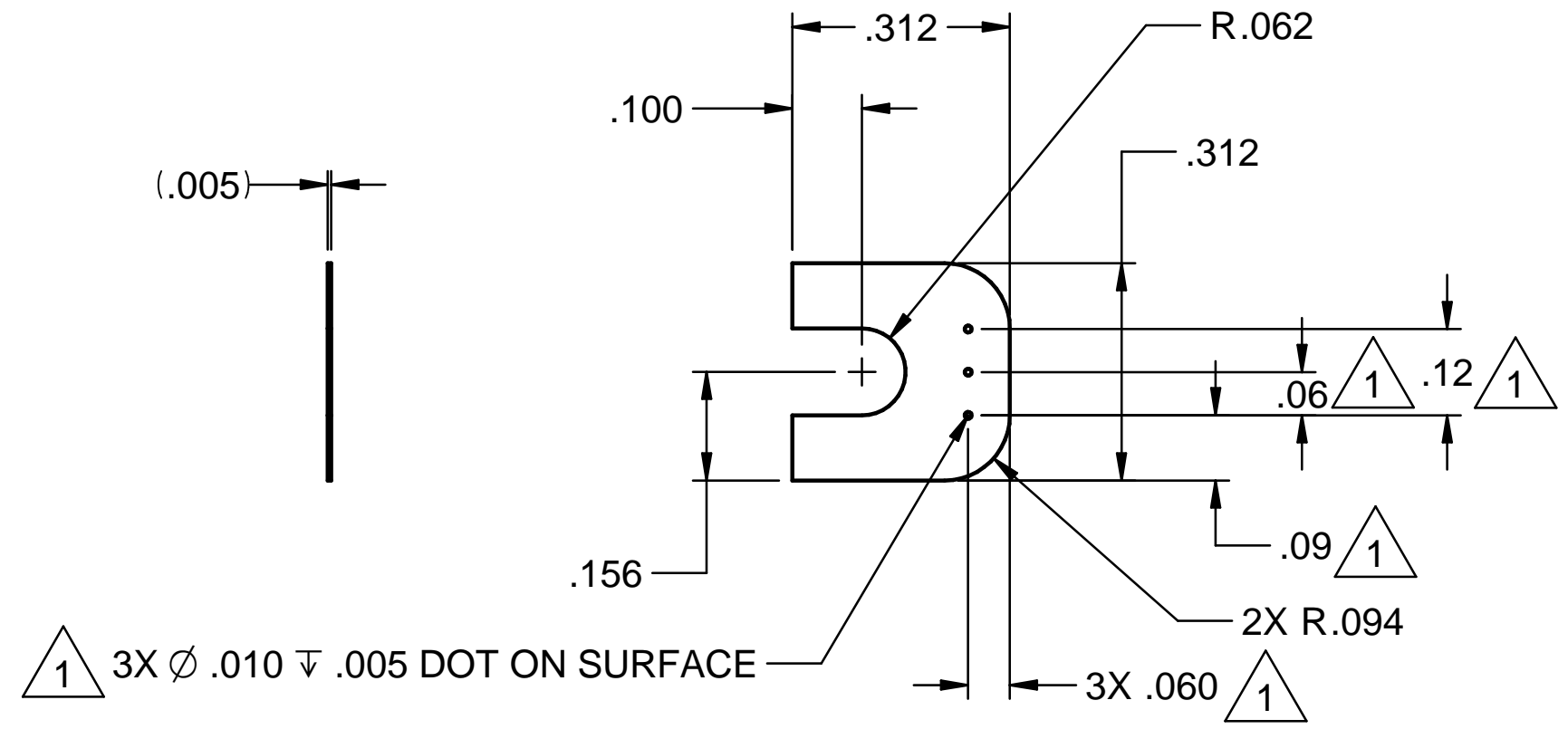


THE DRAWINGS, SPECIFICATIONS AND OTHER DATA HEREIN PROVIDED SHALL NOT BE COPIED, PUBLISHED OR OTHERWISE FURTHER DISSEMINATED WITHOUT PRIOR WRITTEN PERMISSION OF STANFORD UNIVERSITY/SLAC

B 1 PF-381-905-63

REV	DESCRIPTION	DWN	CHKR	APVD	DATE
1	1. ADDED DIMS. 2. DEL SCRIBE, ADDED .010 DIA AND .005 DP. 3. WAS REF TYP.	NS	TM	GA	8-29 12



NOTES: UNLESS OTHERWISE SPECIFIED  
 1 BAG AND LABEL WITH PART NUMBER AND REVISION.

	SHIM STOCK .005 THK. BRASS
STOCK NO	MATERIAL DESCRIPTION

---	SCALE: 4:1 DO NOT SCALE DRAWING		CAD FILE NAME: pf38190563-1.dft
---	DIMENSIONING AND TOLERANCING IS IAW ASME Y14.5M-1994 AND Y14.41-2003		<b>LCLS MAGNET SYSTEM          MAGNET CASSETTE ASSY          MAG BLK SHIM .005</b>
---	UNLESS OTHERWISE SPECIFIED DIMENSIONS ARE IN INCHES. TOLERANCES: BREAK EDGES .005-.015 INTERNAL CORNERS R.015 MAX		
SA-381-905-54	FRACTIONS ± --- DEC .XX ± .01 .XXX ± .005 .XXXX ± ---	ENGR T. MONTAGNE DWN J. STIEBER 3/21/12 CHKR T. MONTAGNE	---
SA-381-905-53	ANGLE ± --- ALL SURF	APPROVALS T. MONTAGNE J. STIEBER	---
NEXT ASSEMBLIES:			DRAWING NUMBER: <b>PF-381-905-63</b> REVISION NUMBER: <b>1</b> <b>B</b>

LCLS MAG CASSETTE SHIM .005

1 OF 1 SHEET