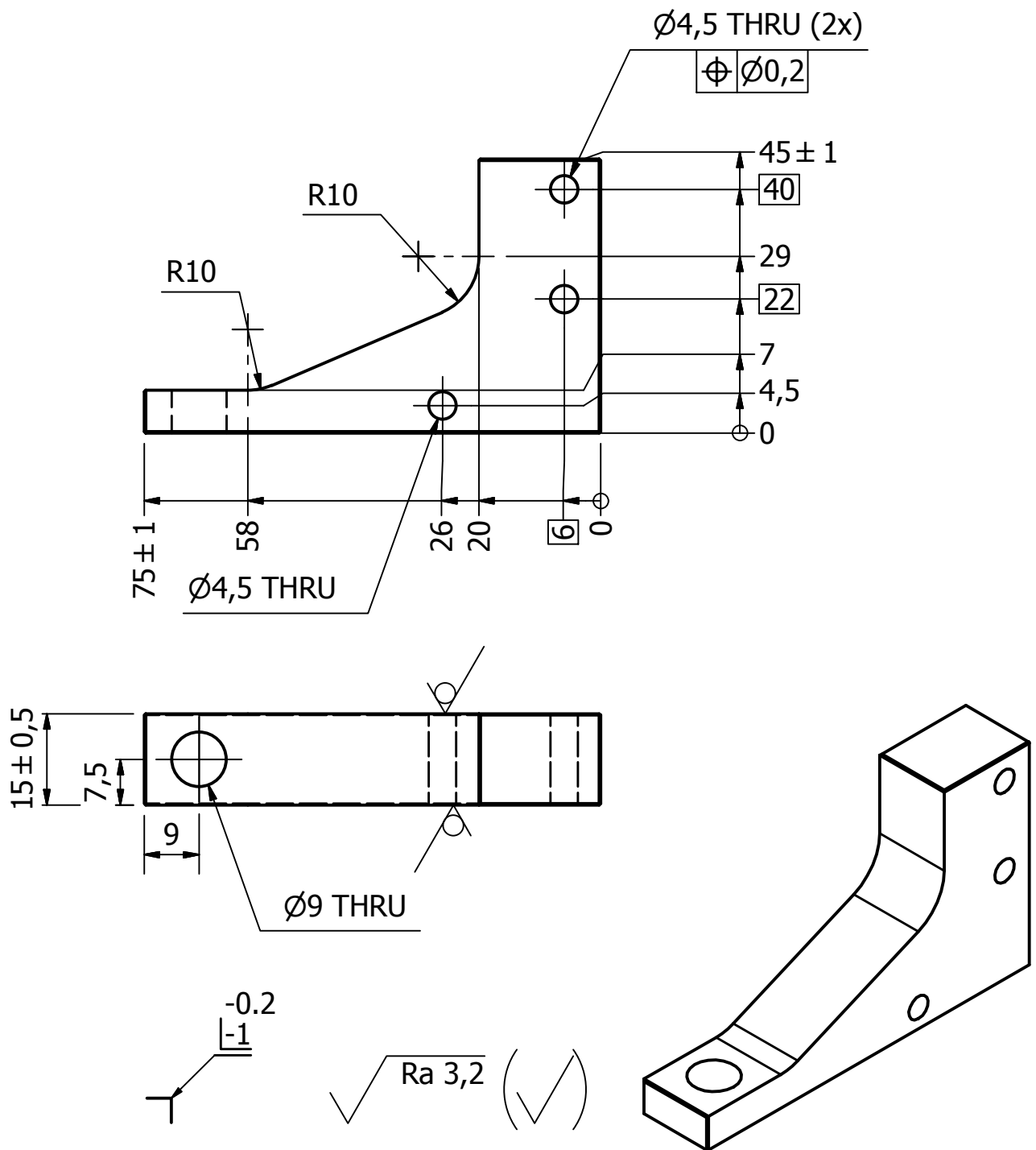




REVISION HISTORY

REV	REVISION COMMENT	DATE	APPROVED
A	Released	17-11-2016	KHG



 <p><b>DANFYSIK</b></p> <p>www.danfysik.com danfysik@danfysik.dk Phone: +45 7220 2400</p>	Size: <b>A4</b>	Customer:	Surface machining: Ra 3.2	Note: No sharp edges	
	Scale: 1 : 1	Order No.:	Surface treatment: Eloxation (Natural)		Material: EN AW-6082-T6
Important:  This document contains informations which are the property of DANFYSIK A/S Denmark. It is submitted to you in confidence that it will not be disclosed or transmitted to others or used for manufacturing without DANFYSIK's authorization in writing.	Projection: 	Dimensions without tolerance indication:  EN 22768 - mK	Description: <b>Limit switch bracket, Omron</b>		
		Date:	Name:	Product No.: 7103033428	Rev.: A
	App. by	17-11-2016	KHG	Doc. No.:	
	Check by	17-11-2016	MNP	CAD Program: Inventor AIS 2016	Plot date: File name: 7103033428.idw
Drawn by	26-10-2016	KHG		Sheet: 1 of 1	