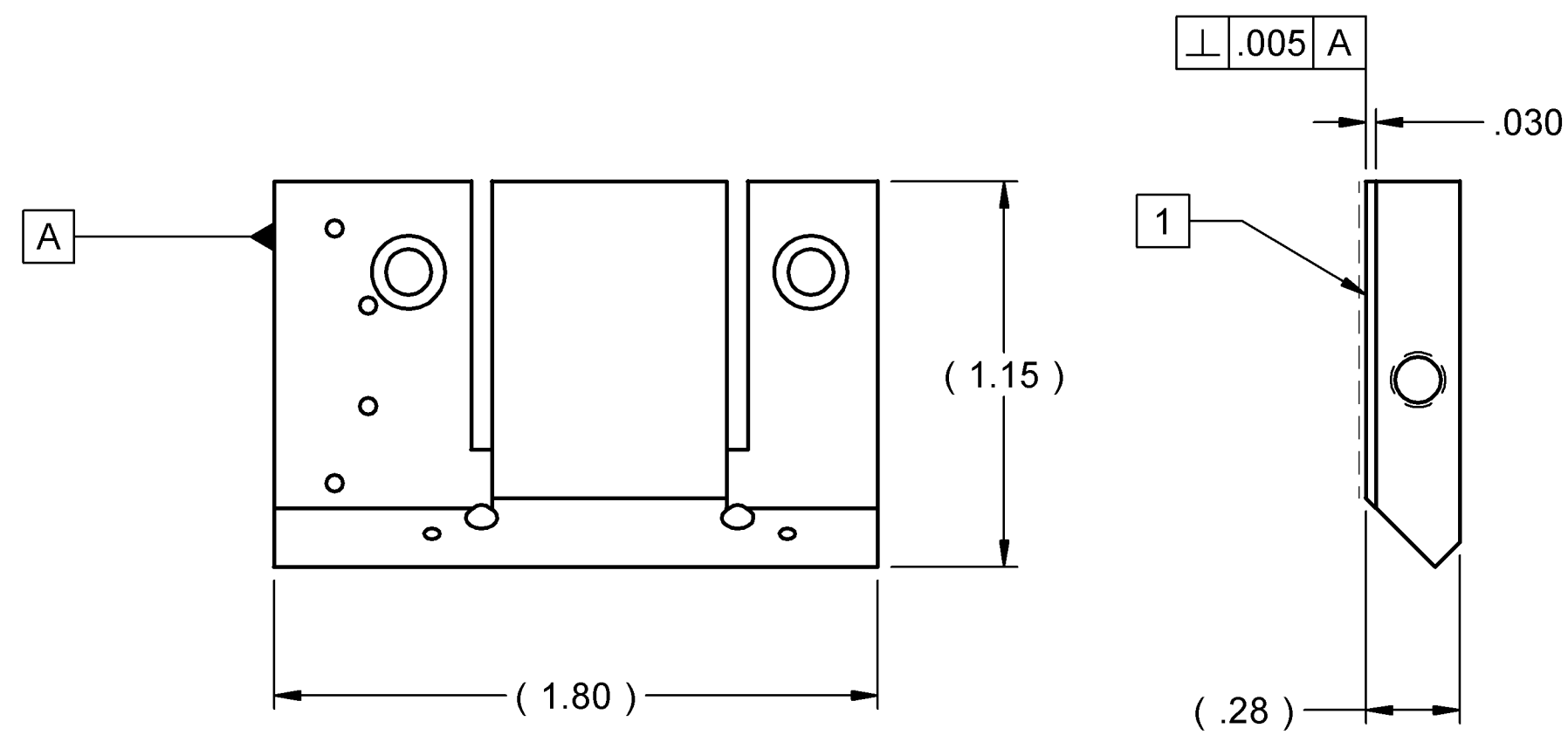


REV	DESCRIPTION	DWN	CHKR	APVD	DATE
-----	-------------	-----	------	------	------



NOTES:

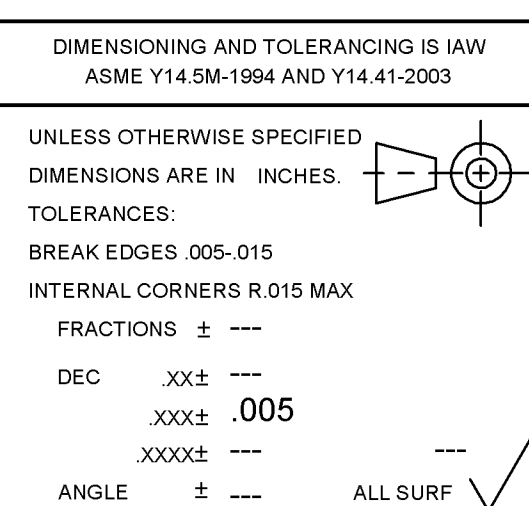
- 1 DIAMOND TURN TO HALF-WAVE OPTICAL FLATNESS. BEST SMOOTH FINISH POSSIBLE.
- 2 BAG AND LABEL WITH PART NUMBER AND REVISION.

ESTIMATED MASS
.044 lbm

PF-391-738-27	YAG / MIRROR - UNPOLISHED
STOCK OR PART NO	TITLE OR DESCRIPTION

ULTRA HIGH VAC PART
FABRICATE PER
FP-202-631-14

---	DIMENSIONING AND TOLERANCING IS IAW ASME Y14.5M-1994 AND Y14.41-2003
---	UNLESS OTHERWISE SPECIFIED DIMENSIONS ARE IN INCHES.
---	TOLERANCES: BREAK EDGES .005-.015
---	INTERNAL CORNERS R.015 MAX
---	FRACTIONS ± ---
SA-391-738-28	DEC .XX± --- .XXX± .005 .XXXX± ---
NEXT ASSEMBLIES:	ANGLE ± ---



SCALE: 2:1
DO NOT SCALE DRAWING

SLAC NATIONAL ACCELERATOR LABORATORY

U.S. DEPARTMENT OF ENERGY

THE DRAWINGS, SPECIFICATIONS AND OTHER DATA HEREIN PROVIDED SHALL NOT BE COPIED, PUBLISHED OR OTHERWISE FURTHER DISSEMINATED WITHOUT PRIOR WRITTEN PERMISSION OF STANFORD UNIVERSITY/SLAC

ENGR T.MONTAGNE	DATE 06/2009	APPROVALS T.MONTAGNE
DWN B.PERRY		P.STEPHENS
CHKR O.FRENER		D.MARSH

CAD FILE NAME: pf39173830-0.dft	
LUSI DIAGNOSTICS YAG / DIODE MODULE YAG / MIRROR - POLISHED	
DRAWING NUMBER PF-391-738-30	REVISION NUMBER 0 C

PF-391-738-30 0 C SH 1 OF 1