

## NON-COMPLIANCE REPORT # 32970-2

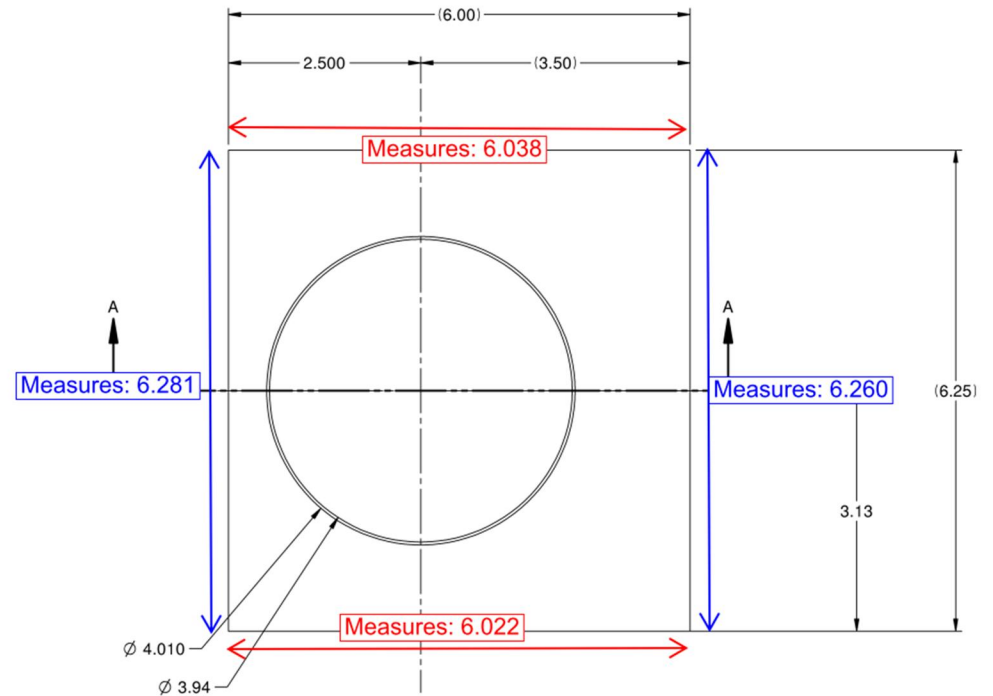
PART NAME: 3S DRIFT PUMP CAN (TOP HALF ONLY)  
 PF/SA NO.: PF-444-412-23 R0  
 WORK ORDER NO.: 32970-2  
 VENDOR: MFD

DATE: 4/6/16  
 INSPECTOR: K. CABAN  
 ENGINEER: J. VARGAS EXT.:  
 PLANNER: BILL

**Reason for Non-Compliance:**

1. 6.00 ±0.01 tapers from 6.022 - 6.038 (+.012" to +.028" oversized)
2. 6.25 ±0.01 tapers from 6.260 - 6.281 (up to +.021" oversized)

**Disposition (UAI, Rework, Scrap, Other):**



*\*\*Inspection is for Top part only. Part is a remake (32811-2)-which was not QC'd by SLAC Metrology.*

Engineer Signature: \_\_\_\_\_

Date: \_\_\_\_\_