

**NON-COMPLIANCE REPORT # 32659-50**

PART NAME: **PROBE WELDMENT**  
 PF/SA NO.: **SA-382-907-87**  
 WORK ORDER NO.: **32659-50**  
 VENDOR **MFD**

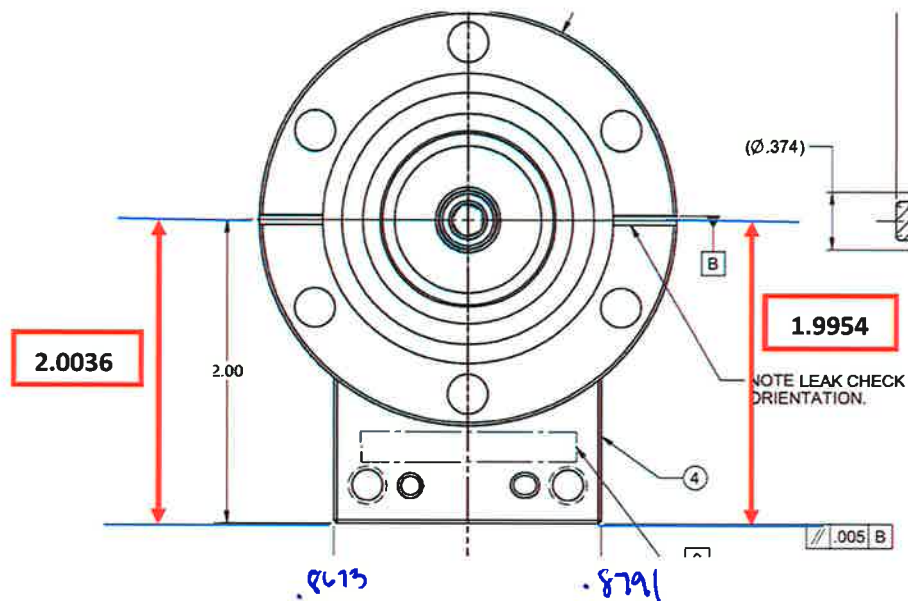
DATE: **2/26/16**  
 INSPECTOR: **K. CABAN**  
 ENGINEER: **V. SRINIVASAN** EXT.: **2494**  
 PLANNER: **DIANNA T.**

**Reason for Non-Compliance:**

**Disposition (UAI, Rework, Scrap, Other):**

1.  $\boxed{\text{//.005 B}}$  is out of tolerance, measuring 0.00815.

*UAI*  
*2/29/16*  
*11:50am*



Engineer Signature: *[Signature]*

Date: *2/29/16*