



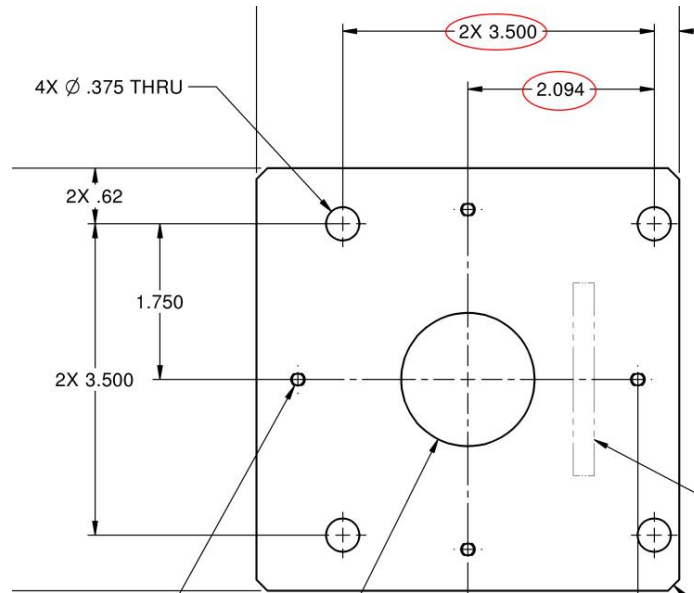
MFD NON-COMPLIANCE REPORT # 31070-6

PART NAME: **MOUNTING PLATE**
PF/SA NO.: **PF-391-851-66 R0**
WORK ORDER NO.: **874113**
VENDOR **OSV**

DATE: **6/5/14**
INSPECTOR: **M. BENES**
ENGINEER: **J. DEFEVER** EXT.: **8531**
ROUTE TO:

Reason For Non-Compliance:

Action (UAI,RWK,SCRIP)



1. $2X\ 3.500 \pm 0.005$ measures 3.510 (+0.005" out of tolerance)
2. 2.094 ± 0.005 measures 2.104 (+0.005" out of tolerance)

Engineer Signature: _____ Date: _____