



MFD NON-COMPLIANCE REPORT # 31066-4

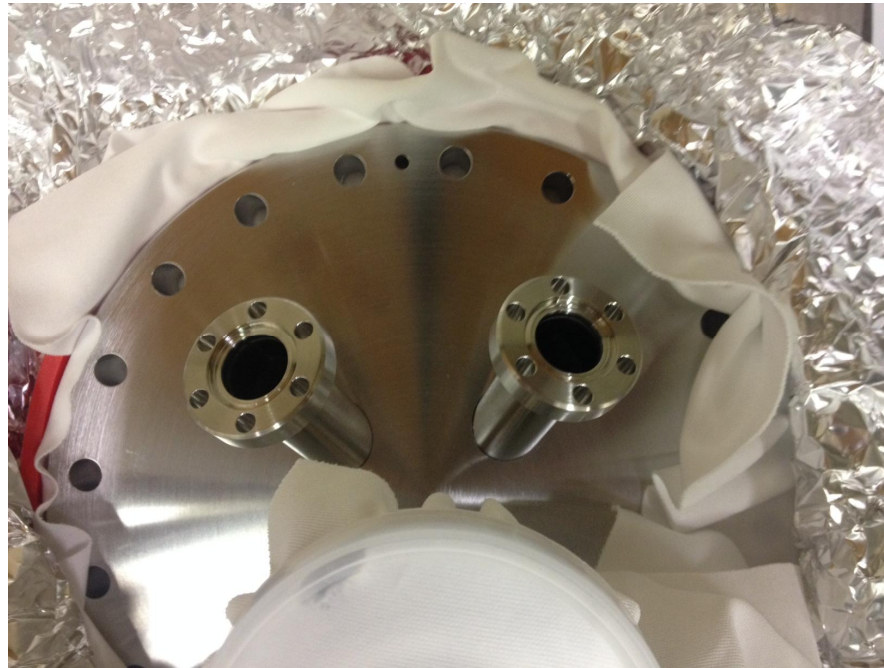
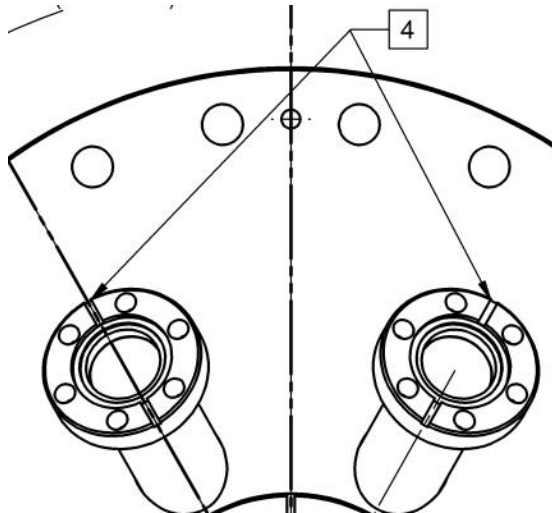
PART NAME: **Viewport, Upstream**
PF/SA NO.: **SC-391-264-36 R0**
WORK ORDER NO.: **31066-4**
VENDOR **Nor-Cal Products, INC.**

DATE: **6/25/14**
INSPECTOR: **K. CABAN**
ENGINEER: **J. DELOR** EXT.: **3136**
ROUTE TO:

Reason For Non-Compliance:

Action (UAI,RWK,SCRIP)

1. Note #4 Leak check groove orientation. Actual 1-1/3" flanges do not have leak check grooves.



Engineer Signature: _____ Date: _____