



MFD NON-COMPLIANCE REPORT # 30207-1

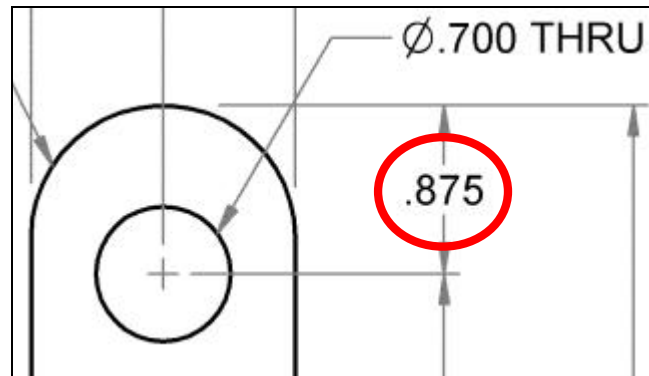
PART NAME: **EARTHQUAKE STRAP**
PF/SA NO.: **PF-389-840-11 R0**
WORK ORDER NO.: **30207-1**
VENDOR **MFD**

DATE: **6/5/13**
INSPECTOR: **K. CABAN**
ENGINEER: **D. BRUCH** EXT.:
ROUTE TO: **HUB**

Reason For Non-Compliance:

Action (UAI,RWK,SCRIP)

1. Distance 0.875 ± 0.005 measures $0.997 - 0.998$ on all 4 parts.



Engineer Signature: _____ Date: _____