



MFD NON-COMPLIANCE REPORT # 29173-5

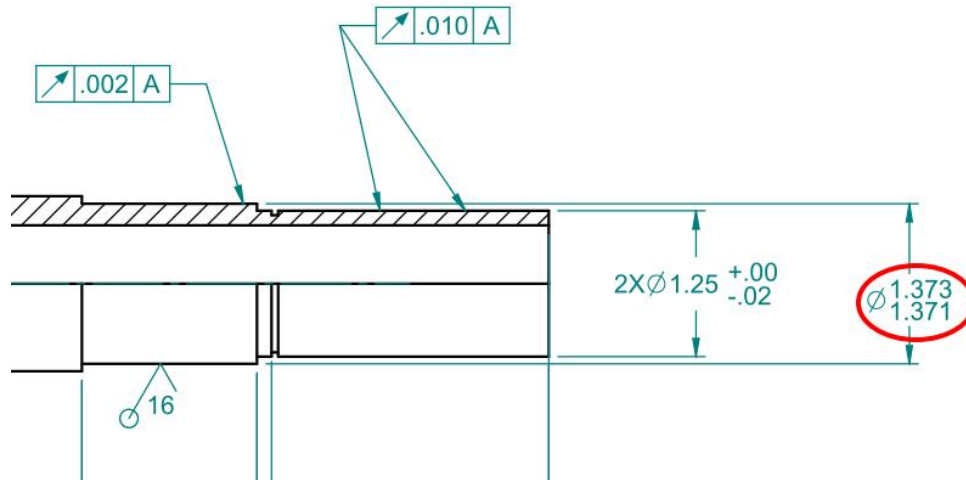
PART NAME: **TUBE**
PF/SA NO.: **PF-258-700-37 R0**
WORK ORDER NO.: **29173-5 (7723326)**
VENDOR: **MFD**

DATE: **10/12/12**
INSPECTOR: **K. CABAN**
ENGINEER: **M. KOSOVSKY** EXT.: **2690**
ROUTE TO: **MTLFNSH**

Reason For Non-Compliance:

Action (UAI,RWK,SCRIP)

1. $\varnothing 1.373$
 1.371 is out of tolerance on 1 of 2 sides of the tube, on both parts measuring 1.3734 & 1.3731 (+0.0001 to +0.0004" out of tolerance)



Engineer Signature: _____ Date: _____