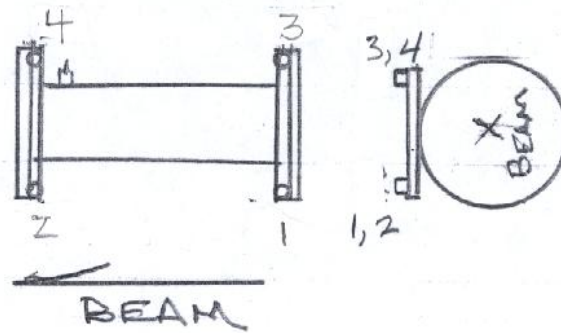


LCLS
 XIA DIFF. PUMP
 SN: 8858721-2
 #2

12/09



	X	Y	Z
1	3.977	5.868	-10.051
2	3.968	5.868	+10.103
3	-3.529	6.145	-10.089
4	-3.524	6.138	+10.068

LCLS - FEE

12-11-09

XIA DIFF. PUMP #2

B.R., L.G.

(X)

D/S) 3.982R
U/S) 3.982R

12.000
11.910
10.000
10.420

11.647 $\frac{3}{R}$
11.647 $\frac{5}{R}$

- 15.629 LOS

21,000 REF.

15.629

36.629 = \checkmark

4/S) A.P.R.

(+) .094 (-) .098

- .002

D/S) 36.629
1.177

36.452 to (-) \checkmark
SIDE

+ .003

1) 18.600
1. —

19.600
15.629

3.971 \checkmark

2) 18.597
1. —

19.597
15.629

3.968 \checkmark

3) 11.100
1. —

12.100
15.629

-3.529 \checkmark

4) 11.105
1. —

12.105
15.629

-3.524 \checkmark

LCLS
FEE
XIA DIFF. PUMP #2

12-11-09
B.R., L.G.

Y

$$\begin{array}{r} 5.052 \\ 3.982 R \\ \hline 9.034 HI \end{array}$$

TOOK PITCH OUT ON
FLANGES, Rod low 4/5
END OF CHAMBER

FL.
7.964 DIA.
3.982 RAD

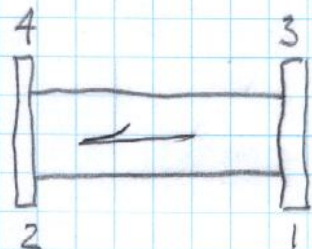
$$\begin{array}{r} 50.530 REF \\ 9.034 \\ \hline 41.496 = \text{¢} \\ \leftarrow -1.004 \text{ U/S APER} \\ \hline 41.492 = \text{NEW } \text{¢} \\ 50.530 REF \\ \hline 9.038 HI \checkmark \end{array}$$

U/S APER Sum (.197")

$$\begin{array}{r} \text{TOP } +.093 \\ \text{BOT } -.101 \quad -.004 \end{array}$$

D/S APER 9mm (.354)

$$\begin{array}{r} 41.496 \\ .177R \\ \hline 41.673 \text{ TOP } \checkmark \\ (-) -.002 \quad (+) +.005 \end{array}$$



$$\begin{array}{r} 1) \ 2.170 \\ \quad \underline{1} \\ \quad 3.170 \\ \quad 9.038 \\ \hline \boxed{5.868} \checkmark \end{array}$$

$$\begin{array}{r} 2) \ 2.170 \\ \quad \underline{1} \\ \quad 3.170 \\ \quad 9.038 \\ \hline \boxed{5.868} \checkmark \end{array}$$

$$\begin{array}{r} 3) \ 1.893 \\ \quad \underline{1} \\ \quad 2.893 \\ \quad 9.038 \\ \hline \boxed{6.145} \checkmark \end{array}$$

$$\begin{array}{r} 4) \ 1.900 \\ \quad \underline{1} \\ \quad 2.900 \\ \quad 9.038 \\ \hline \boxed{6.138} \checkmark \end{array}$$

LCLS-FEE

12-14-09

XIA DIFF. PUMP#2

B.R., L.G.

(E) INNER FACE OF FLANGES

u(s) 8.200

D(s) 10.018 + 1

-1.409 LOS

u(s) 8.200

1.875

+ 9.075 FROM u/s FL. FACE

FROM u/s FLANGE FACE

1) 7.642

1
8.642
9.075

+4.331

2) 10.512

1
11.512
9.075

+20.587

3) 7.680

1
8.680
9.075

+1.295

4) 10.477

1
11.477
9.075

+20.552

FROM ϕ

-1.409 LOS

1) -8.642

-1.409

-10.051

2) +11.512

-1.409

+10.103

3) -8.680

-1.409

-10.089

4) +11.477

-1.409

+10.068