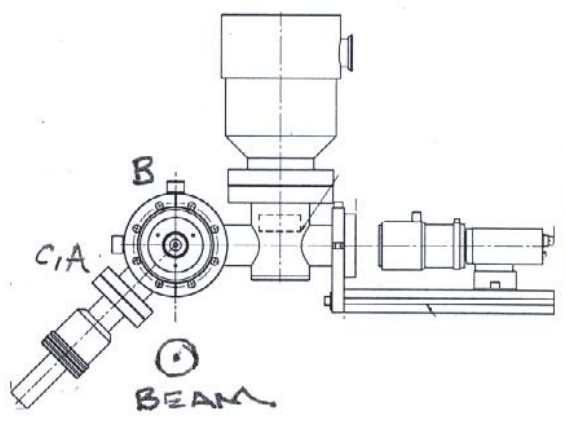
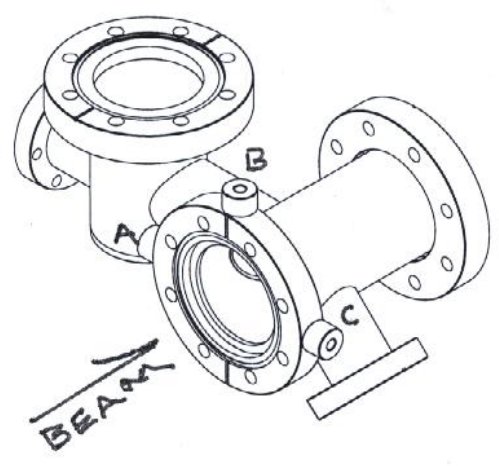


LUSI AMO

H1-FIELD PHYSICS STA.

DIFF. PUMP CHAMBER ASS'Y



	X	Y	Z
A	+3.739	+0.077	-2.485
B	+0.046	+3.745	-2.502
C	-3.748	-0.189	-2.506

LUSI AMO
HI FIELD Physics STA
DIFF PUMP

LG
JM
5-11-09

(X)

FLG
4.470 / 2.235

FV = 3.735
AV = 3.735

F 28.000
W 27.945
F 26.700
W 26.741
F 27.255
N 27.255

A
24.751
1.-
25.751
29.490
+3.739 ✓

B
16.916
12.528
29.444
29.490
+1.046 ✓

C
15.619
17.619
33.238
29.490
-3.748 ✓

DOS 29,490

(Z)

17.894
10.769
28.663 / 14.332

A
10.847
1.-
11.847
14.332
-2.485 ✓

B
10.830
1.-
11.830
14.332
-2.502 ✓

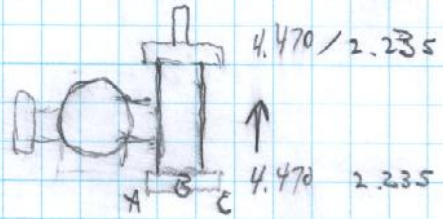
C
10.826
1.-
11.826
14.332
-2.506 ✓

LUSI AMO
HI FIELD PHYSICS STA
DIFF PUMP

LG
Jmc
5-11-09

(Y)

5.460 Read	7.695
2.235 FLG	1.368
<u>7.695 HI</u>	6.327 S/R
	6.332



U/S FLG D/S FLG
5.459 Read 5.455 Read
5.457 HI
2.235
7.692

A

6.376
1.750
7.126
7.692
<u>+ .066</u>

B

2.947
1. -
<u>3.947</u>
7.692
<u>+ 3.743</u>

C

6.881
1. -
<u>7.881</u>
7.692
<u>- .189</u>

4.470
2.735 / 1.368

A)

.715
<u>6.900</u>
7.615
7.692
<u>+ .077</u>

LCLS

LUSI Amb

HI FIELD PHY. STA.
DIFF. PUMP

5-11-89

JM, LG

(X) Set target tube

1" dia
:500

+ 29.490 L/S
 .500

28.990 S/R

28.993

-.003 ✓

29.490

 11

40.490 S/R ✓

 0 ✓

(Y)

GUN 2

17.019 HZ

 .500

16.519 S/R PIPE ✓

16.523

-.004 ✓

GUN 2

22.109 REF.

 5.090

17.019 ✓

12.782 Ref BLADE GUN 1

12.782 REACT

 7.092 HZ

5.090 ♀

+.002 TARGET ✓