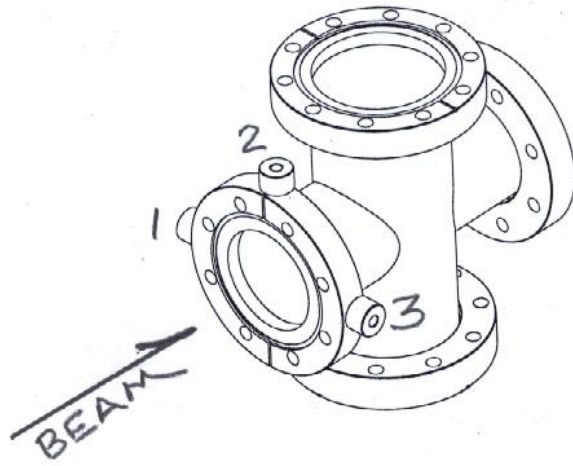
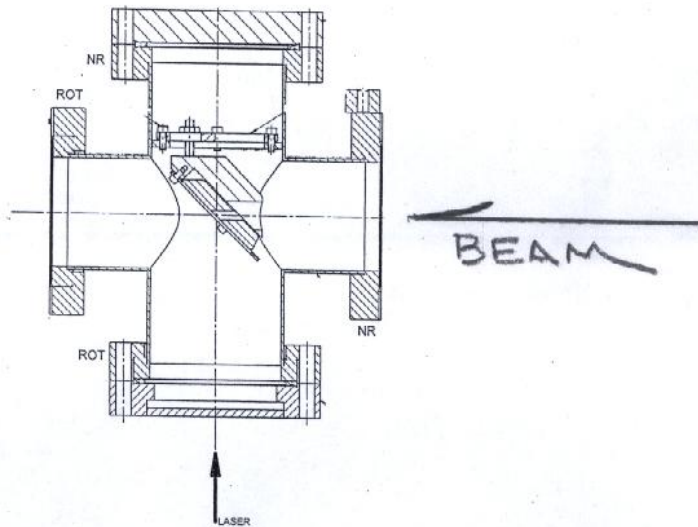


LUSI AMO  
 DIAGNOSTICS SECTION  
 LASER INTRO. UPBEAM  
 2 OF 4

U/S OF  
 DIAGNOSTIC CAN?



	X	Y	Z
1	+3.744	-.058	-3.163
2	-.011	+3.737	-3.166
3	-3.726	-.039	-3.149



LCLS  
LUSI AMO

5-7-09  
JM, LC

(X)

D.S. LASER UPSTREAM ZOF4

D/S) 2.235R  
u/s) 2.235R

21.000  
21.514  
22.500  
22.854  
25.819 STA  
25.819 STA  
840  
26.028 S/R

+ 28.26300S

1) 23.519  
1  
24.519  
28.263

+ 3.744

2) 27.274  
1  
28.274  
28.263

- .011

3) 7.970 1-3  
1.500  
7.470  
3.744

- 3.726

DISPIPE  
27.025

31.000 REF  
28.26300S  
59.263 = 4

DIAGNOSTICS SECTION LASER  
INTRO. UPSTREAM 20P4

Y

$$\begin{array}{r} u(s) \ 12.339 \\ \quad 2.235 \\ \hline 14.574 \end{array}$$

$$\begin{array}{r} d(s) \ 12.339 \\ \quad 2.235 \\ \hline 14.574 \end{array}$$



u(s) 4.470

d(s) 4.470

+14.574 Hz

Roll TOP FL

(+) 10.955

(-) 10.953

$$\begin{array}{r} 1) \ 13.632 \\ \quad 1 \\ \hline 14.632 \\ \quad 14.574 \\ \hline \end{array}$$

$$\begin{array}{r} 2) \ 9.837 \\ \quad 1 \\ \hline 10.837 \\ \quad 14.574 \\ \hline \end{array}$$

$$\begin{array}{r} 3) \ 13.613 \\ \quad 1 \\ \hline 14.613 \\ \quad 14.574 \\ \hline \end{array}$$

X  
1-3  
7.970

$$\boxed{-0.058}$$

$$\boxed{+3.737}$$

$$\boxed{-0.039}$$

27.260 REF  
14.574 Hz

$$\boxed{12.686 \text{ Hz}}$$

BF

9600

Z

$$\begin{array}{r} u(s) \ 8.535 \\ d(s) \ 17.135 \\ \hline 25.670/2 \\ \hline -12.835 \text{ LOS} \end{array}$$

$$\begin{array}{r} 1) \ 8.672 \\ \quad 1 \\ \hline 9.672 \\ \quad 12.835 \\ \hline \end{array}$$

$$\begin{array}{r} 2) \ 8.669 \\ \quad 1 \\ \hline 9.669 \\ \quad 12.835 \\ \hline \end{array}$$

$$\begin{array}{r} 3) \ 8.686 \\ \quad 1 \\ \hline 9.686 \\ \quad 12.835 \\ \hline \end{array}$$

$$\boxed{-3.163}$$

$$\boxed{-3.164}$$

$$\boxed{-3.149}$$