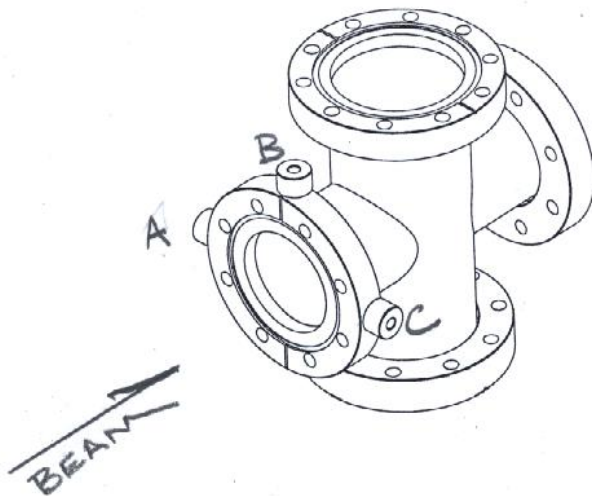
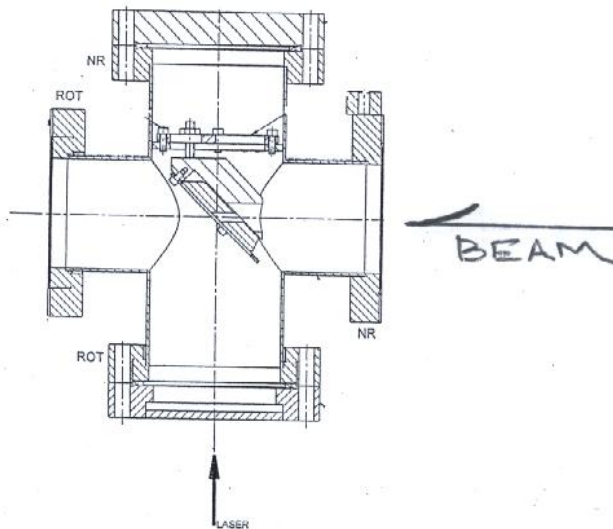


LUSI AMO  
 DIAGNOSTICS SECTION  
 LASER INTRO. UPBEAM

1 of 4



	X	Y	Z
A	+3.733	- .085	-3.194
B	+ .033	+3.738	-3.168
C	-3.737	+ .011	-3.140



Acc#

9242445

(X)

LCLS  
LUSI AMO

D. S. L. I. UPSTREAM 10F4

5.7-09

JM, LG

pl/s) 2.236  
u/s) 2.233

24,000  
23,732  
21,000  
21,033

21,299 s/r  
21,302 s/r

+ 23,535 LOS

A) 18.802 B) 22.502 C) 7.970 A-C

1. —  
19.802  
23.535  
+ 3.733

1. —  
23.502  
23.535  
+ 0.033

1,500  
7,470  
3,733  
- 3,737

ols Pipe  
22.297

36,000 REF  
23,535 LOS  
59,535 =  $\Phi$

(Z)

u/s) 12.030

pl/s) 20.650

32,680 / 2 =  
- 16,340 LOS

A) 12.146

16,340  
- 4,194  
1. —

- 3,194

B) 12.172

16,340  
- 4,168  
1. —

- 3,168

C) 12.200

16,340  
- 4,140  
1. —

- 3,140

8.20

LCLS  
LUSI AMO

5-7-09  
J.M., L.G.

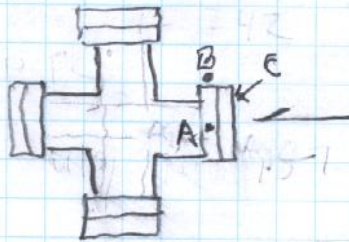
DIAGNOSTICS SECTION LASER  
INTRO. UPSEAM 1 of 4

Y

$$\begin{array}{r}
 u(s) \ 12.343 \\
 \underline{- 2.233 R} \\
 14.576 \\
 12.335 \\
 \hline
 \bar{m} = 14.577 HI
 \end{array}
 \quad
 \begin{array}{r}
 d(s) \ 12.342 \\
 \underline{- 2.236} \\
 14.578 \\
 \hline
 \bar{m} = 14.577 HI
 \end{array}$$

Roll taken on  
FACE of TOP FL. 4.466 u/s

$$\begin{array}{r}
 (+) 10.952 \quad (-) 10.954 \\
 \hline
 2.488 \\
 \underline{- 2.513} \\
 4.472 \text{ o/s} \\
 \underline{- 2.480} \\
 2.526
 \end{array}$$



A) 13.662      B) 9.839

$$\begin{array}{r}
 13.662 \\
 \underline{- 1.} \\
 14.662 \\
 \underline{- 14.577} \\
 \boxed{-0.85}
 \end{array}
 \quad
 \begin{array}{r}
 9.839 \\
 \underline{- 1.} \\
 10.839 \\
 \underline{- 14.577} \\
 \boxed{+3.738}
 \end{array}$$

C) 13.566

$$\begin{array}{r}
 13.566 \\
 \underline{- 1.} \\
 14.566 \\
 \underline{- 14.577} \\
 \boxed{+1.011}
 \end{array}$$

27.260 REF

14.577 HI

$$\begin{array}{r}
 27.260 \\
 \underline{- 14.577} \\
 12.683 = \phi
 \end{array}$$