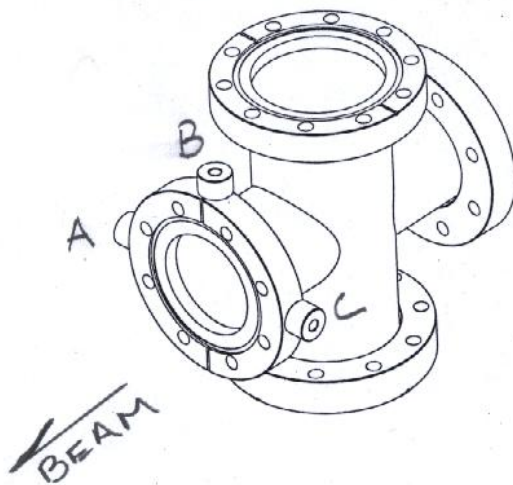
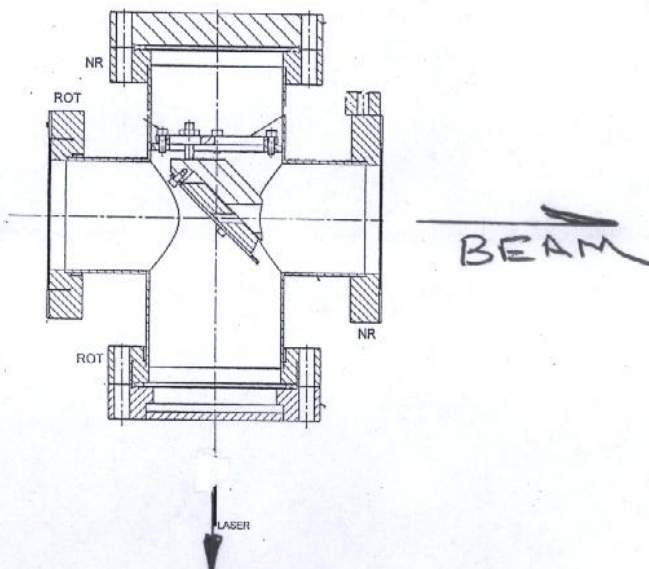


LUSI AMO  
 DIAGNOSTIC SECTION  
 LASER EXIT. DOWNBEAM

4 OF 4



	X	Y	Z
A	-3.739	+ .015	+ 3.255
B	- .633	+ 3.743	+ 3.207
C	+ 3.733	- .015	+ 3.199



LCLS  
LUSI AMO

5-7-09  
JM, LCR

D.S. LASER EXIT D/S 9044

(X) d/s 2.235  
u/s 2.235

26.100  
25.968  
23.000  
23.182

24.7975/R  
+ 27.032 LOS

32.000 REF  
27.032 WS  
59.032 LOS

A) 22.293	B) 25.999	C) 7.972	A-B
1	1	1.500	
23.293	26.999	7.472	
27.032	27.032	3.739	
+3.739	+.033	-3.733	

ROTATED 180  
T/B'S NOW D/S

D/S PIPE  
25.782

-3.739	-.033	+3.733
--------	-------	--------



(1)

DIAGNOSTICS SECT. LASER  
EXIT DOWNSTREAM 4 of 4

u/s) 12.328    d/s) 12.332    Roll Top FC  
 $\frac{2.235R}{14.563}$      $\frac{2.235R}{14.567}$     (+)    (-)  
 10.949    16.945  
 M = 14.565 HF    10.960

u/s) 4.470  
d/s) 4.470

A) 13.550    B) 9.822    C) 13.580    27.260 REF.  
 $\frac{1.}{14.550}$      $\frac{1.}{10.822}$      $\frac{1.}{14.580}$      $\frac{14.565 HI}{12.695 = \Phi}$   
 $\frac{14.565}{+0.015}$      $\frac{14.565}{+3.743}$      $\frac{14.565}{-0.015}$

(2)

u/s) 8.860    A) 8.877    B) 8.925    C) 8.933  
 d/s) 17.403     $\frac{1.}{9.877}$      $\frac{1.}{9.925}$      $\frac{1.}{9.933}$   
 $\frac{26.263(2)}{13.132 WS}$      $\frac{13.132}{-3.255}$      $\frac{13.132}{-3.207}$      $\frac{13.132}{-3.199}$

A-B  
7.972

ROTATED 180°  
T/B'S NOW DIS

$\frac{13.132}{+3.255}$      $\frac{13.132}{+3.207}$      $\frac{13.132}{+3.199}$